

**Similar Models:**

**Features**

- **Noise Figure 1.1 dB Maximum**
- **P1dB Compression +10 dBm Minimum**
- Unconditionally Stable at all temperatures
- Internally Regulated DC Voltage
- Field Replaceable SMA connectors
- Excellent Group Delay and Phase Linearity
- 0.009 inches diameter RF In/Out feed through
- 3 Year Warranty

**Options**

- **Optimized Performance over Selected Bandwidth**
- Internally DC Block Input (Output DC Block Standard)
- Hermetically Sealed Package
- Improved Gain Flatness  $\pm 1.0$  dB Max
- Gain and Phase matching

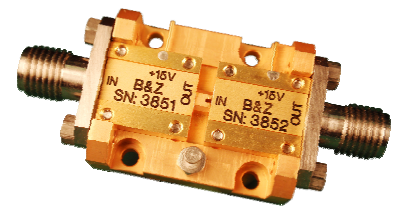
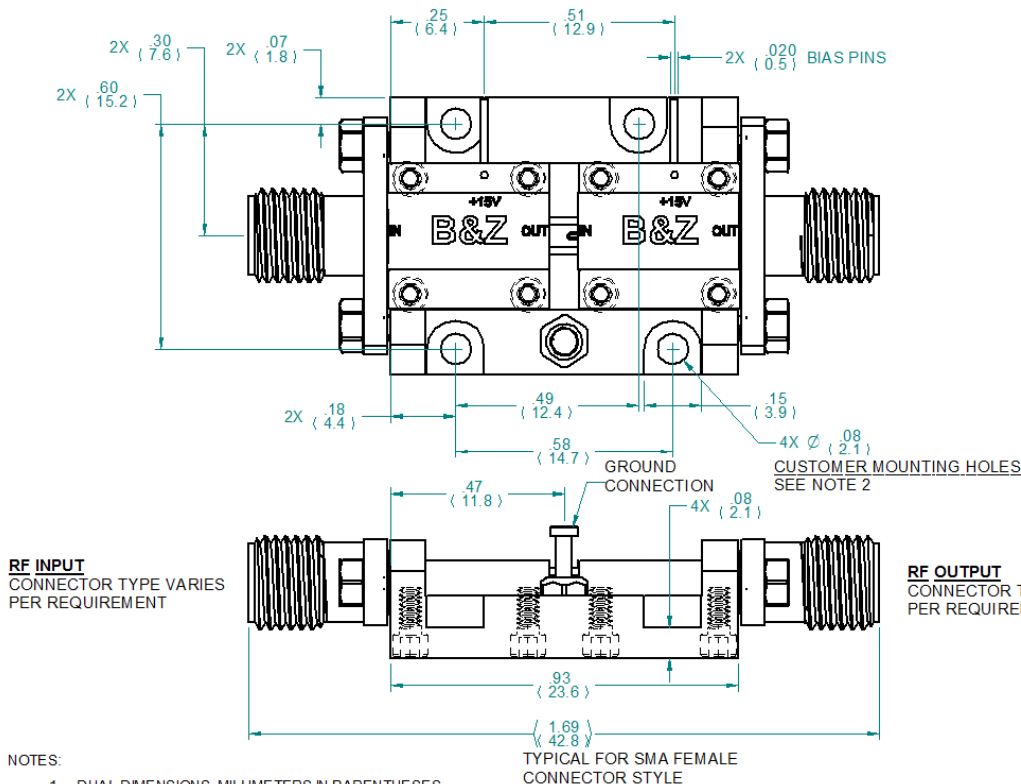
**Specifications (23 °C)**

Parameter	Min	Typ	Max	
Frequency Range	10.7	-	12.75	GHz
Noise Figure	-	-	1.1	dB
Gain	50	-	-	dB
Gain Flatness	-	-	$\pm 2.5$	dB
P1dB Output Power	10	-	-	dBm
Input VSWR	-	-	2.0:1	
Output VSWR	-	-	2.0:1	
Operating Temperature	-55	-	+85	°C
Voltage	+15	-	-	V
Current	-	250	-	mA

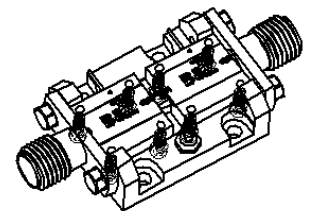
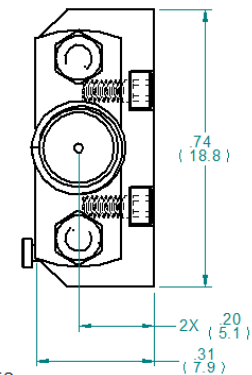
Similar models available. These models are the same specification as the BZ-10701275-111050-252020, except as noted.

BZ-10701275-101050-252020 – Noise Figure is 1.0dB max.  
BZ-10701275-121050-252020 – Noise Figure is 1.2dB max.

**Outline Drawing**



**Approximate Actual Size**



OUTLINE, CASCADED, 2X

100118 A