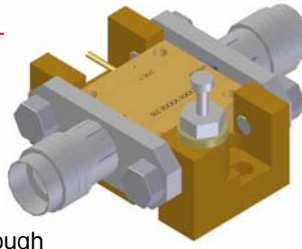


Features

- **Noise Figure ≤ 1.2**
- Unconditionally Stable at all temperatures
- Internally Regulated DC Voltage
- 50 Ohm Matched Input/Output
- Field Replaceable SMA connectors
- Excellent Group Delay and Phase Linearity
- 0.009 inches diameter RF In/Out feed through
- 3 Year Warranty

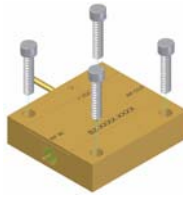


Specifications (23 °C)

Parameter	Min	Typ	Max	
Frequency Range	2	-	8	GHz
Noise Figure *			1.2	dB
Gain	22			dB
Gain Flatness	-		± 1.5	dB
P1dB Output Power	5		-	dBm
Input VSWR	-		2.0:1	
Output VSWR	-		2.0:1	
Operating Temperature	-55	-	+85	°C

Options

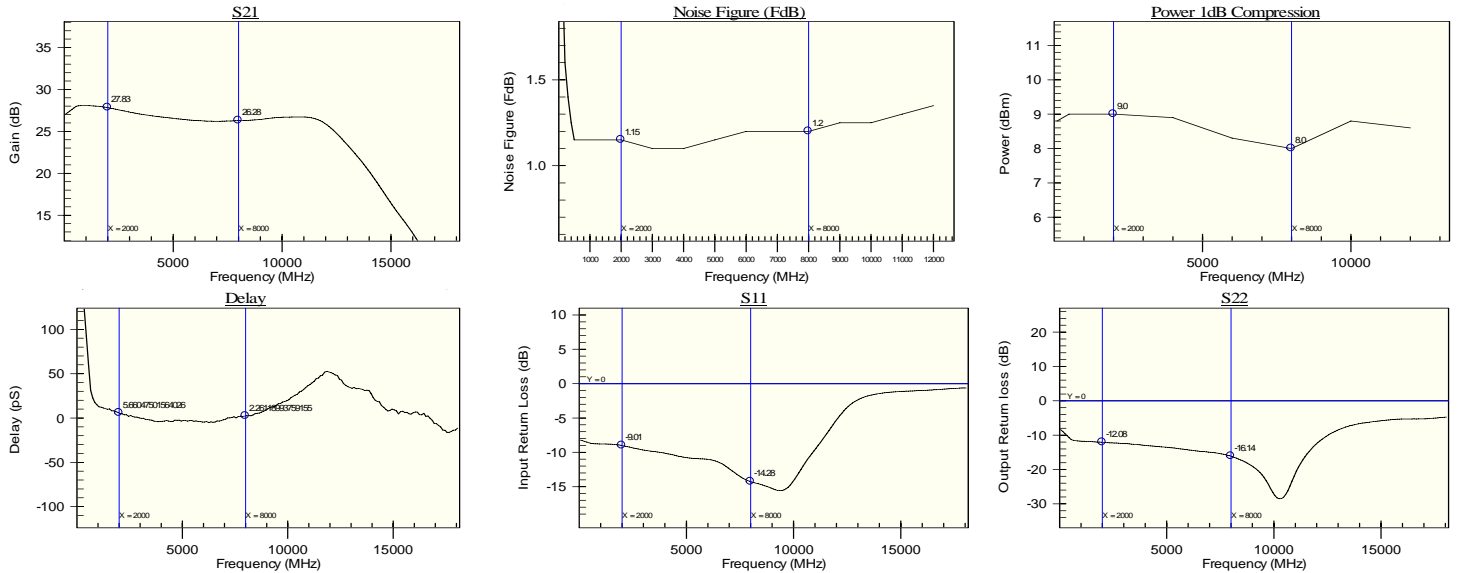
- **Optimized Performance over Selected Bandwidth**
- Internally DC Block Input (Output DC Block Standard)
- Hermetically Sealed Package
- Improved Gain Flatness
- Improved IN and OUT VSWR
- Gain and Phase matching
- Lower Noise Figure (**Cryogenic Temp**)



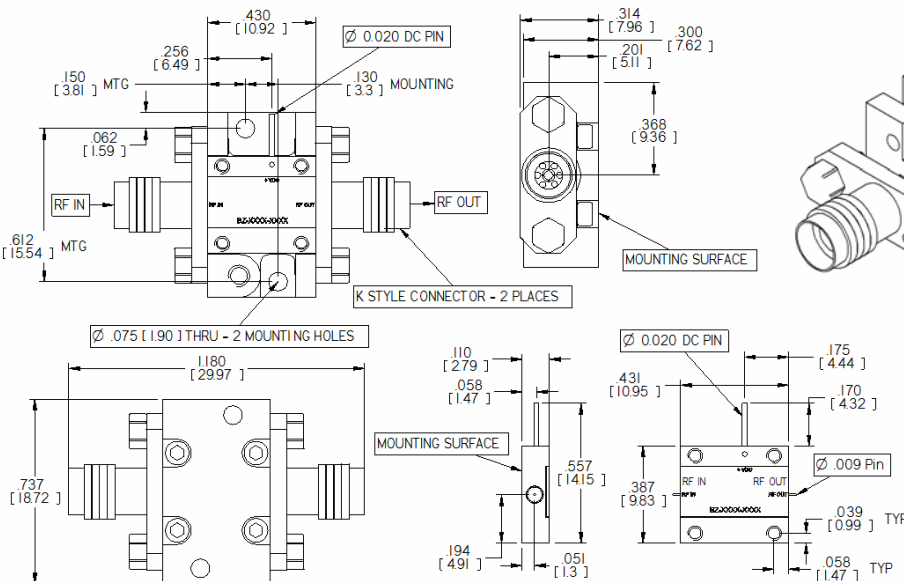
Voltage	+12	-	+15	V
Current	-	70	95	mA

* Noise Sources used for measurement: 2- 8 GHz: HP346A, N.F. Uncertainty (approx. 0.15 dB), .1 dB due to ENR of HP 346A, and .05 dB Due to mismatch losses and gain modulation of the unit, caused by the HP 346A source Impedance change in the ON and OFF state. Noise Figures at Cryogenic Temp, not given due to uncertainty of measurement for very low values. Call to discuss.

Performance Graphs



Outline Drawing



Mounting Drawing

