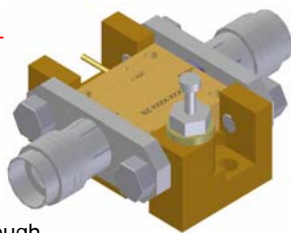


Features

- Power Out 1 dB comp. ≥ 24 dBm**
- Unconditionally Stable at all temperatures
- Internally Regulated DC Voltage
- 50 Ohm Matched Input/Output
- Field Replaceable SMA connectors
- Excellent Group Delay and Phase Linearity
- 0.009 inches diameter RF In/Out feed through
- 3 Year Warranty

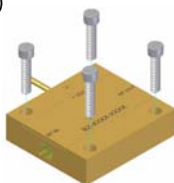


Specifications (23 °C)

Parameter	Min	Typ	Max	
Frequency Range	4	-	12	GHz
Noise Figure			3.8	dB
Gain	30	32	-	dB
Gain Flatness	-		±1.8	dB
*P1dB Output Power	24		-	dBm
Input VSWR	-		2.0:1	
Output VSWR	-		2.0:1	
Operating Temperature	-55	-	+85	°C
**Voltage	+14.5	-	+15.5	V
Current	-	375	425	mA

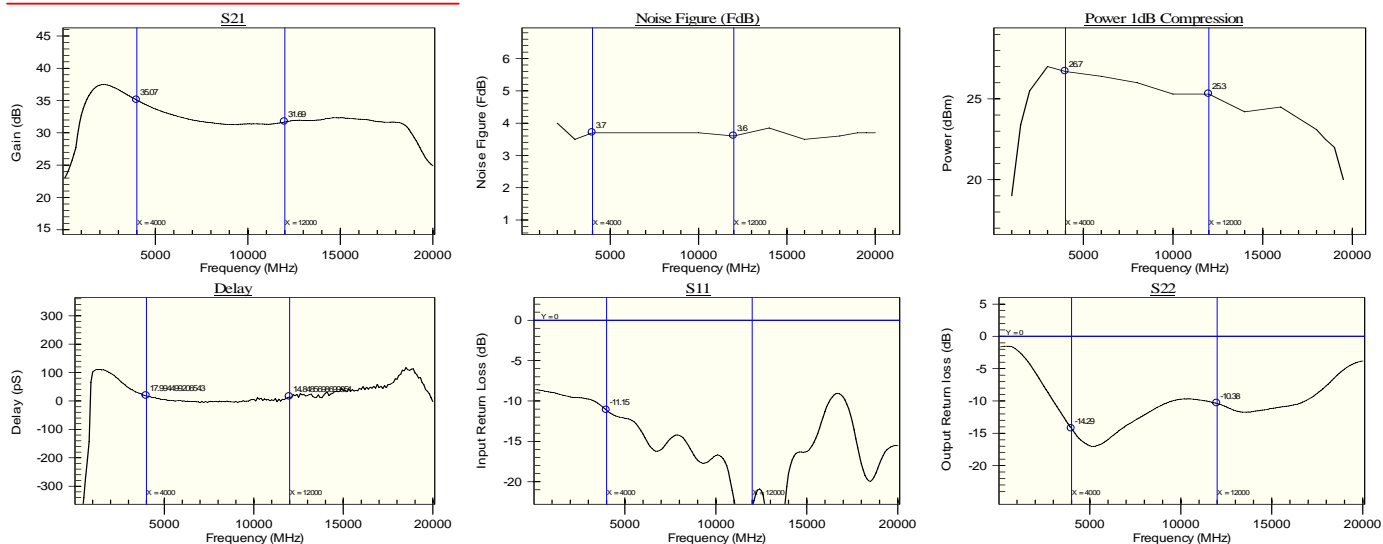
Options

- Optimized Performance over Selected Bandwidth**
- Internally DC Block Input (Output DC Block Standard)
- Hermetically Sealed Package
- Gain and Phase matching
- Extended bandwidth to 100 MHz.
- Internal D.C. Voltage regulation

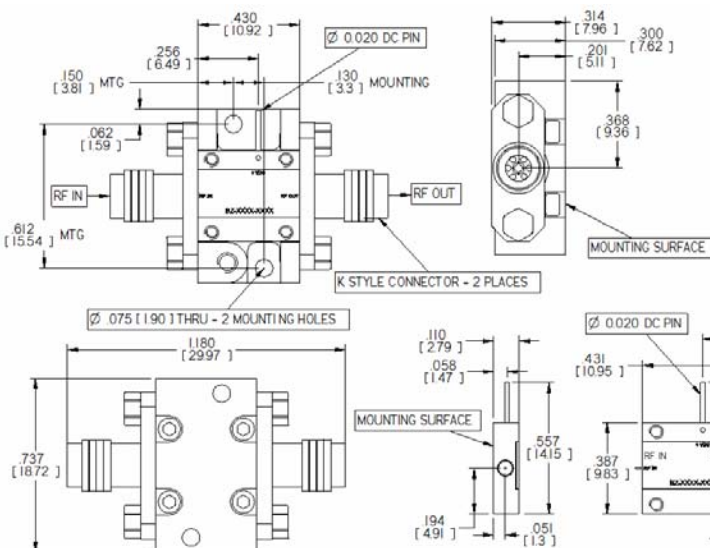


* IMP: UNIT REQUIRES HEAT SINK.
** Input +15V with Internal D.C. voltage Regulation available

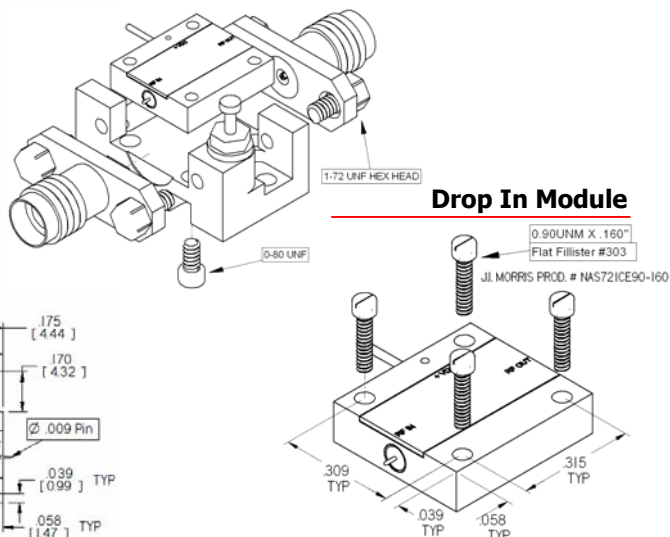
Performance Graphs



Outline Drawing



Mounting Drawing



00166