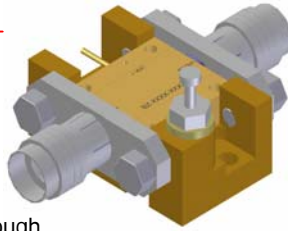


**BZ1220HA1**

**WIDE BAND HIGH DYNAMIC RANGE AMP, 12 - 20 GHz**

**Features**

- **Noise Figure  $\leq 3.0$  dB**
- Unconditionally Stable at all temperatures
- Internally Regulated DC Voltage
- 50 Ohm Matched Input/Output
- Field Replaceable SMA connectors
- Excellent Group Delay and Phase Linearity
- 0.009 inches diameter RF In/Out feed through
- Operating Temp. -55 C to 85 C
- 3 Year Warranty

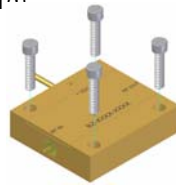


**Specifications (23 °C)**

Parameter	Min	Typ	Max	
Frequency Range	12	-	20	GHz
Noise Figure *			3.0	dB
Gain	10	11	-	dB
Gain Flatness	-		$\pm 1.0$	dB
P1dB Output Power	13	14	-	dBm
Input VSWR	-		2.0:1	
Output VSWR	-		2.0:1	
Operating Temperature	-55	-	+85	°C

**Options**

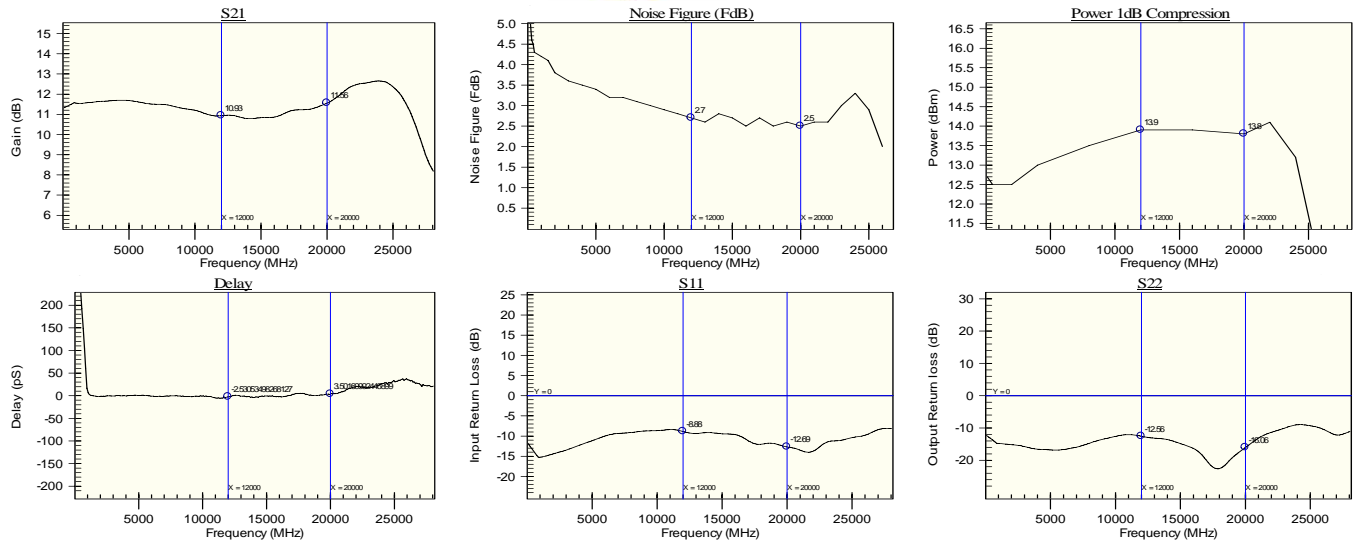
- **Optimized Performance over Selected Bandwidth**
- Internally DC Block Input (Output DC Block Standard)
- Hermetically Sealed Package
- Improved Gain Flatness  $\pm 1.0$  dB Max
- Improved IN and OUT VSWR
- Gain and Phase matching



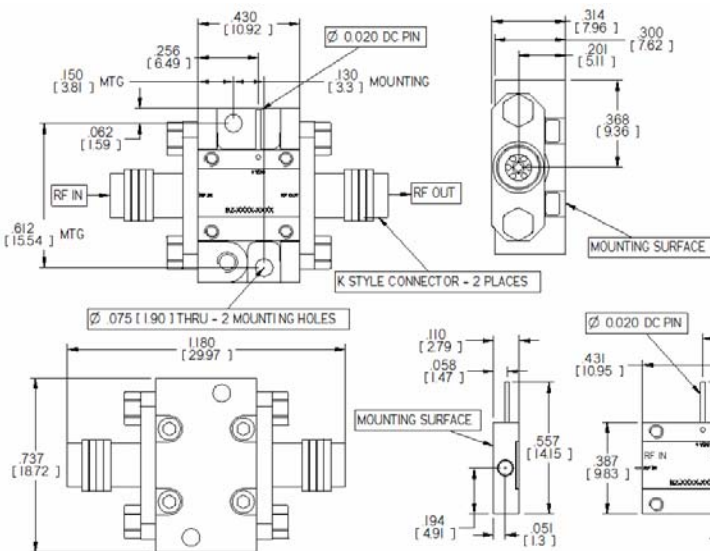
Voltage	+12	-	+15	V
Current	-	80	95	mA

\* Noise Sources used for measurement: 0.1- 18 GHz: HP346A, 18 - 20 GHz: HP346C N.F. Uncertainty (approx. 0.2 dB). 0.1 dB due to ENR of HP 346C, and 0.1 dB, due to gain modulation of the unit, caused by the HP 346C source impedance change in the ON and OFF state.  
Noise Figures and other parameters degrade below 500 MHz.

**Performance Graphs**



**Outline Drawing**



**Mounting Drawing**

