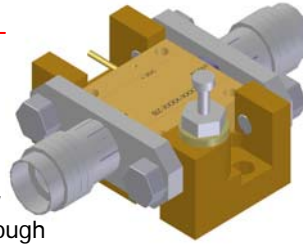


Features

- **Noise Figure ≤ 4.5 dB. Typical**
- Unconditionally Stable at all temperatures
- Internally Regulated DC Voltage
- 50 Ohm Matched Input/Output
- Field Replaceable 2.92 connectors
- Excellent Group Delay and Phase Linearity
- 0.009 inches diameter RF In/Out feed through
- 3 Year Warranty

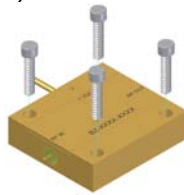


Specifications (23 °C)

Parameter	Min	Typ	Max	
Frequency Range	26	-	40	GHz
Noise Figure *			4.5	dB
Gain	32			dB
Gain Flatness			±2.6	dB
P1dB Output Power	+8			dBm
Input VSWR			2.5:1	
Output VSWR			2.5:1	
Operating Temperature	-55	-	+85	°C
Third Order Intercept				dBm
Second Order Intercept				dBm
Voltage		+12		V
Current		150		mA

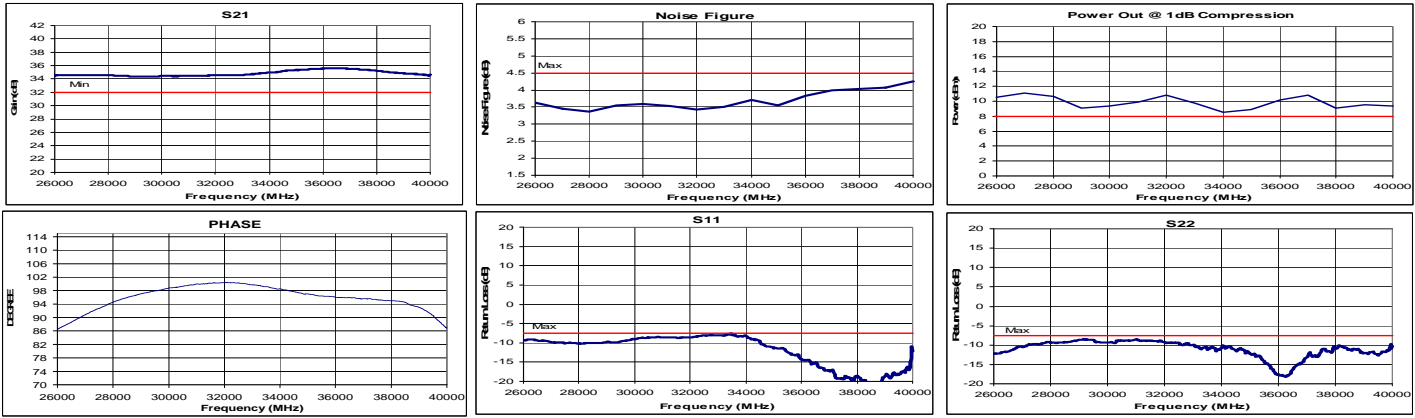
Options

- **Optimized Performance over Selected Bandwidth**
- Internally DC Block Input (Output DC Block Standard)
- Hermetically Sealed Package
- Improved Gain Flatness ±1.0 dB Max
- Gain and Phase matching
- Lower Noise Figure (**Cryogenic Temp**)

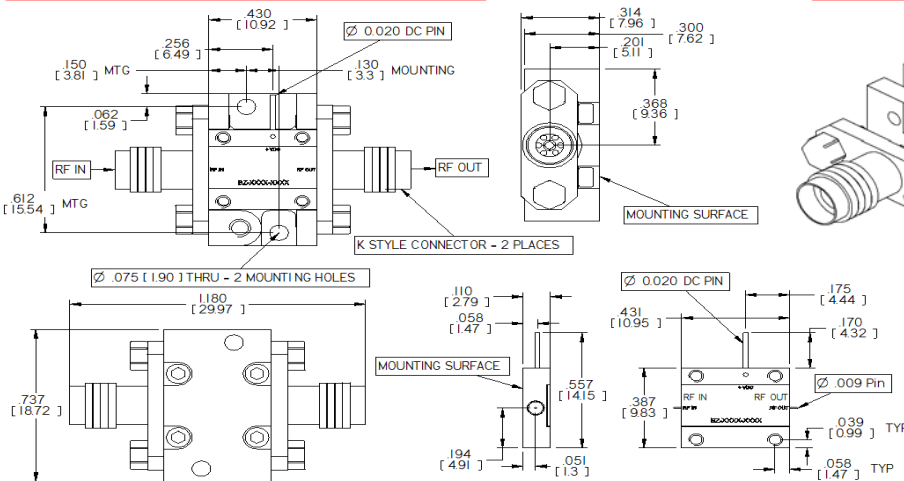


* Noise Sources used for measurement: 18 – 40 GHz: HP346C K01
N.F. Uncertainty (approx. 0.2 dB). 0.1 dB due to ENR of HP 346C, and 0.1 dB, due to gain modulation of the unit, caused by the HP 346C source impedance change in the ON and OFF state.
Noise Figures and other parameters degrade below 500 MHz.

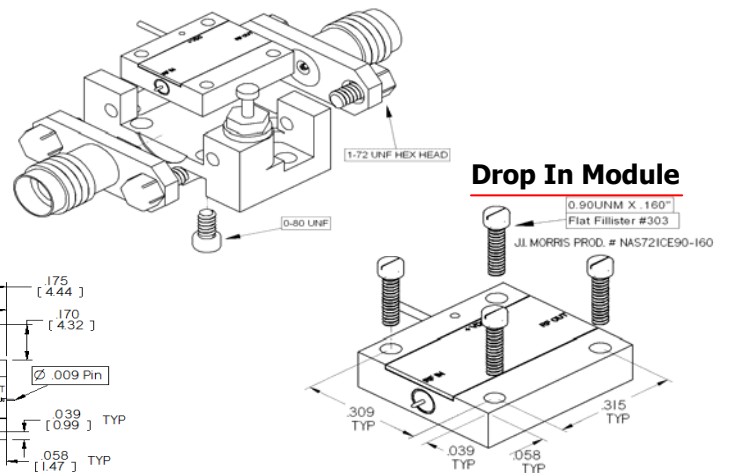
Performance Graphs



Outline Drawing



Mounting Drawing



00194