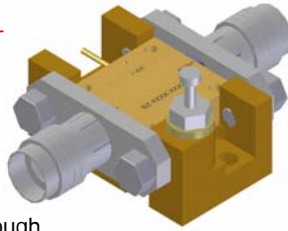


#### Features

- **Noise Figure  $\leq 4.0$  dB Measured**
- Unconditionally Stable at all temperatures
- Internally Regulated DC Voltage
- 50 Ohm Matched Input/Output
- Field Replaceable SMA connectors
- Excellent Group Delay and Phase Linearity
- 0.009 inches diameter RF In/Out feed through
- 3 Year Warranty

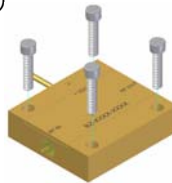


#### Specifications (23 °C)

| Parameter             | Min   | Typ   | Max       |     |
|-----------------------|-------|-------|-----------|-----|
| Frequency Range       | 0.5   | -     | 20        | GHz |
| Noise Figure *        |       |       | 4.0       | dB  |
| Gain                  | 27    | 28    | -         | dB  |
| Gain Flatness         | -     |       | $\pm 1.8$ | dB  |
| P1dB Output Power**   | 10    | 11    | -         | dBm |
| Input VSWR            | -     | 2.0:1 | 2.3:1     |     |
| Output VSWR           | -     | 2.0:1 | 2.3:1     |     |
| Operating Temperature | -55   | -     | +85       | °C  |
| ***Voltage            | +14.5 | -     | +15.5     | V   |
| Current               | -     | 160   | 175       | mA  |

#### Options

- **Optimized Performance over Selected Bandwidth**
- Internally DC Block Input (Output DC Block Standard)
- Hermetically Sealed Package
- Gain and Phase matching
- Extended bandwidth to 100 MHz.
- Internal D.C. Voltage regulation



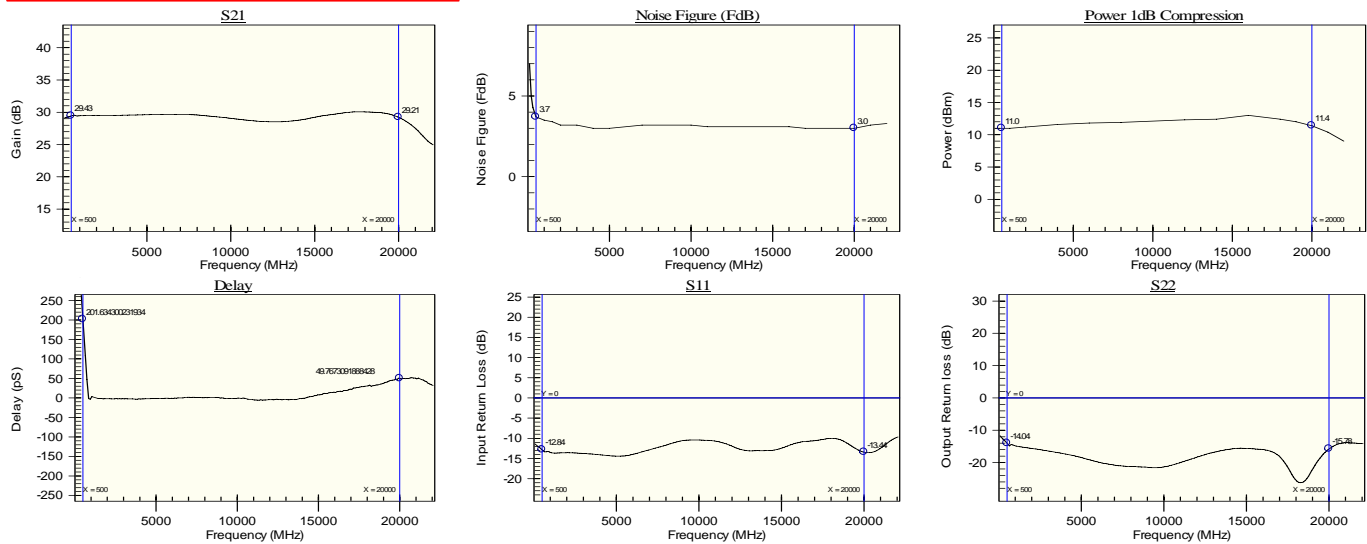
\* Noise Source used for measurement: 0.1 – 18 GHz: HP346A, 18 – 20 GHz: HP346C  
 Uncertainty of N.F. (approx. 0.12 dB) .10 db due to ENR of HP346C, .11 db due to Gain modulation of the amplifier.

Noise Figures increase below 500 MHz

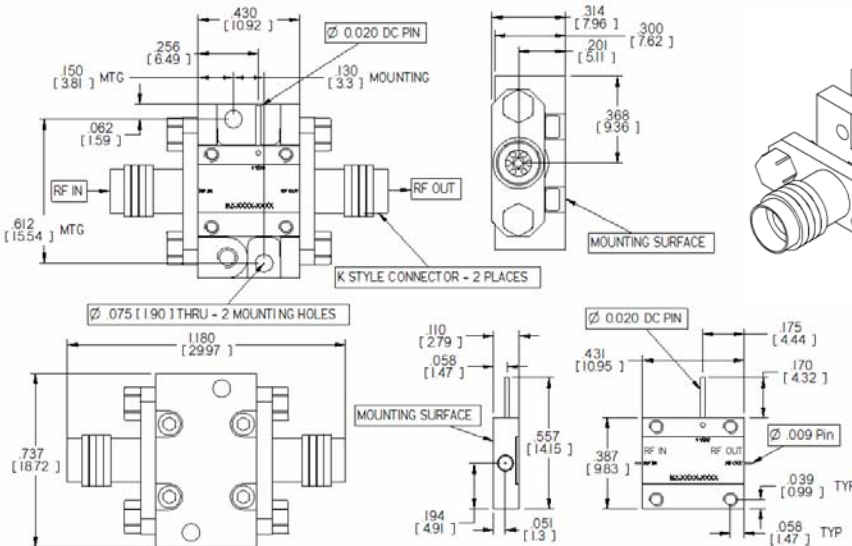
\*\*IMP: UNIT REQUIRES HEAT SINK.

\*\*\* Input +15V with Internal D.C. voltage Regulation available

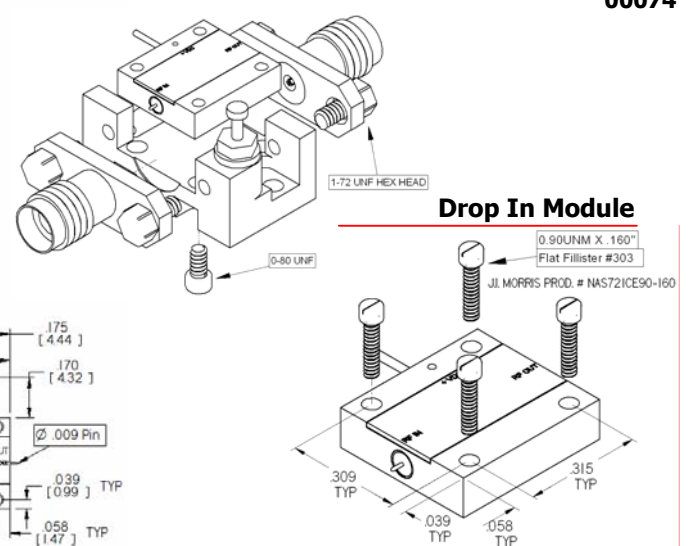
#### Performance Graphs



#### Outline Drawing



#### Mounting Drawing



00074