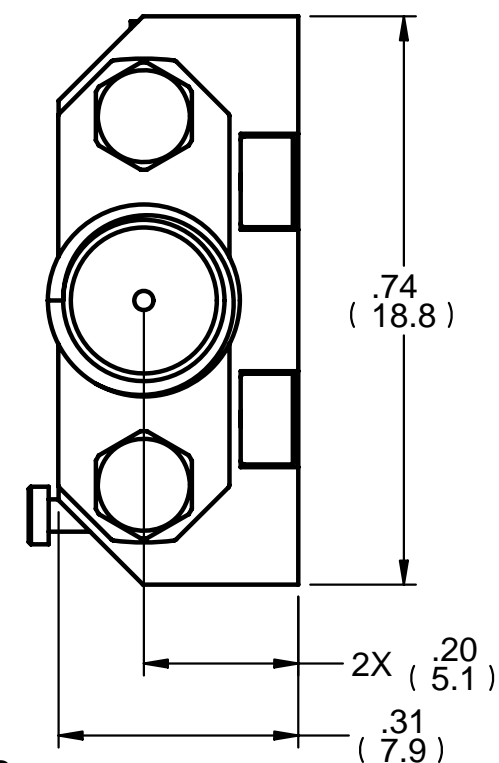
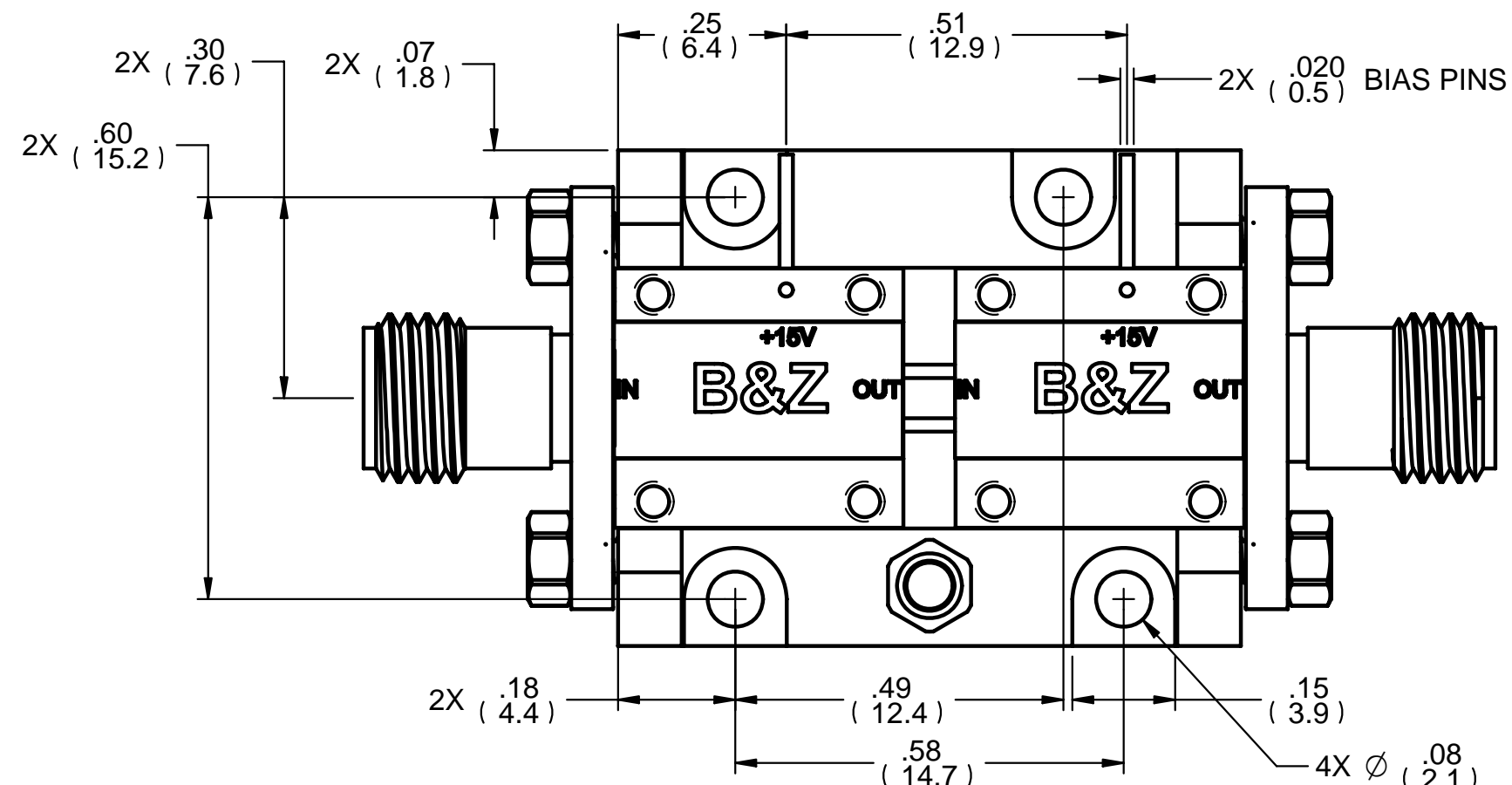
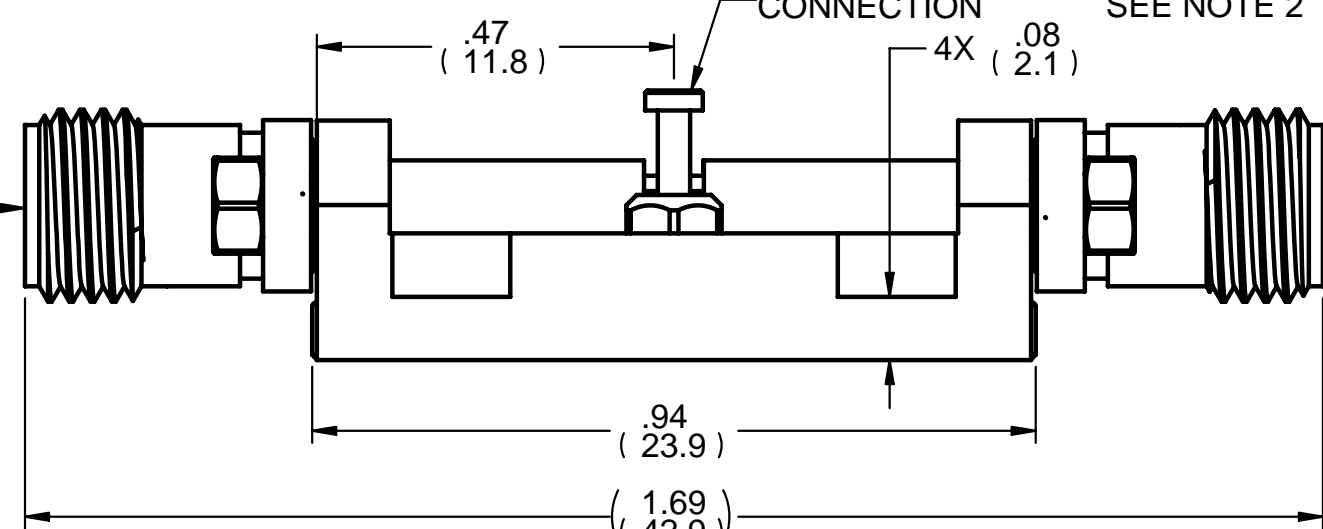


REVISION HISTORY

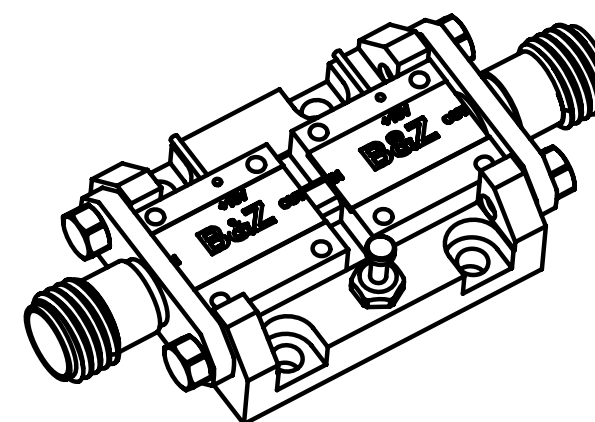
REV	DESCRIPTION	DATE	APPROVED



RF INPUT
CONNECTOR TYPE VARIES
PER REQUIREMENT



RF OUTPUT
CONNECTOR TYPE VARIES
PER REQUIREMENT



NOTES:

- DUAL DIMENSIONS, MILLIMETERS IN PARENTHESES
- RECOMMENDED MOUNTING HARDWARE:
#1-72 SOCKET HEAD CAP SCREW
M2 SOCKET HEAD CAP SCREW
- MOUNTING SURFACE SHOULD BE FLAT .002 INCH / INCH.
- STANDARD ESD PRECAUTIONS NEED TO BE OBSERVED.

	NAME	DATE
DRAWN	Dan S.	06/13/07
CHECKED		
ENG APPR		
MGR APPR		

UNLESS OTHERWISE SPECIFIED
DIMENSIONS ARE IN INCHES
ANGLES ±X.X°
2 PL ±X.XX 3 PL ±X.XXX

B&Z TECHNOLOGIES
STONY BROOK, NEW YORK 11790

TITLE
OUTLINE, CASCADED, 2X

SIZE B	DWG NO 100118	REV A
FILE NAME: 100118 A_OUTLINE, 2X, CASCADED.dft		
SCALE:	WEIGHT:	SHEET 1 OF 1