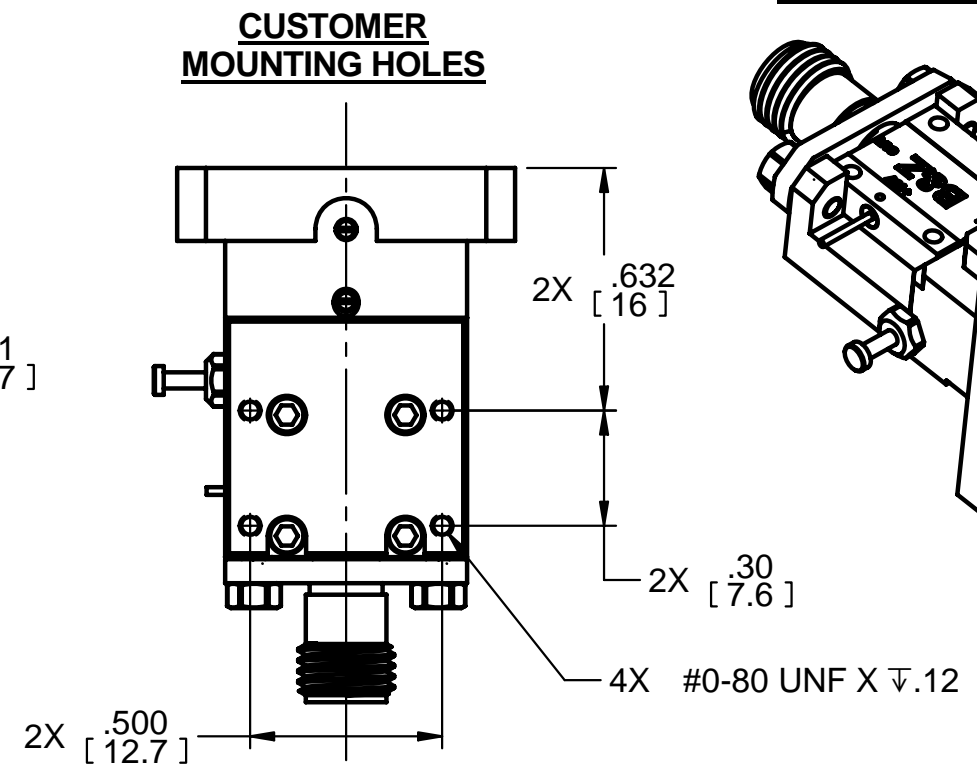
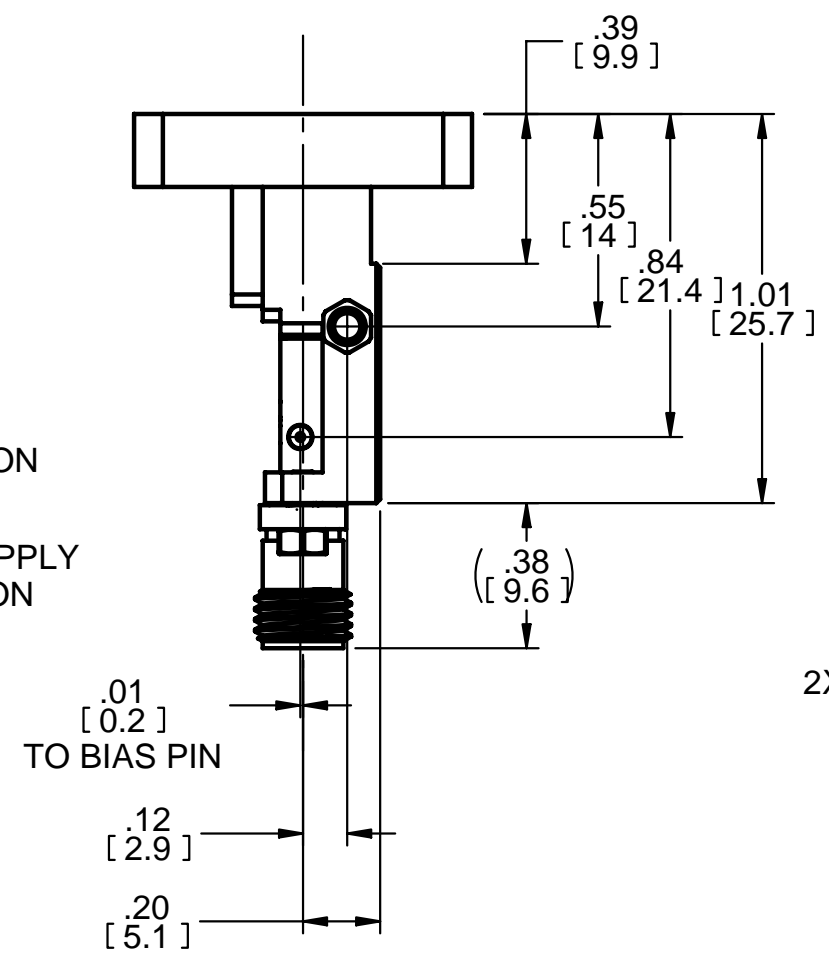
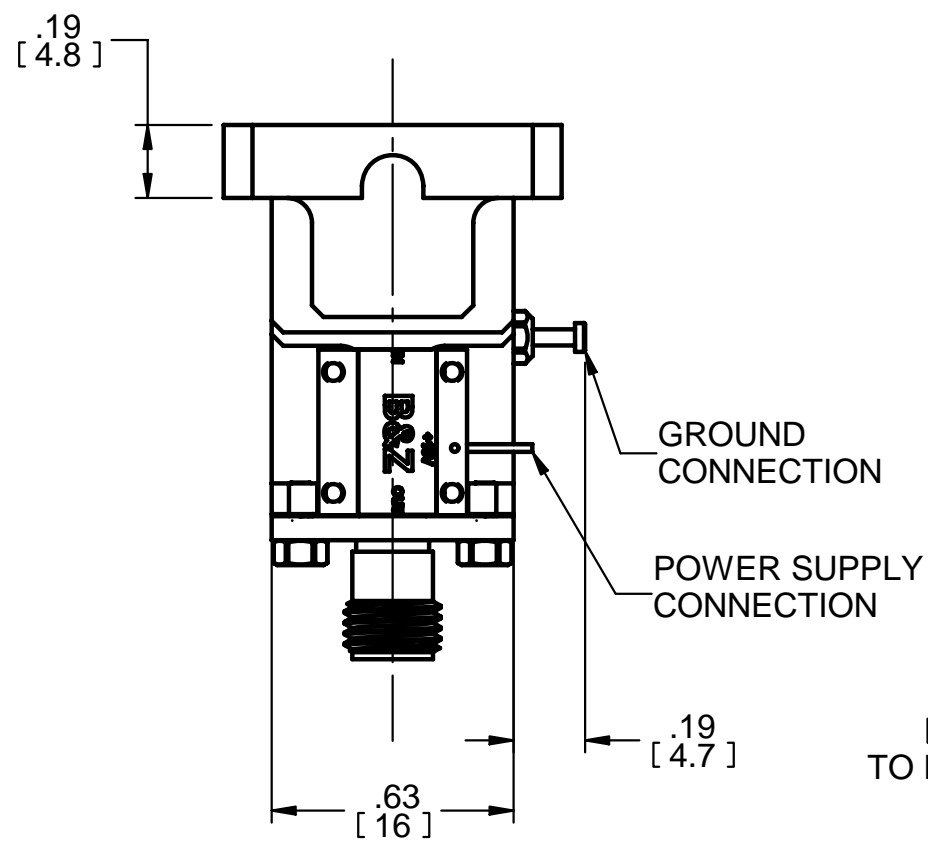
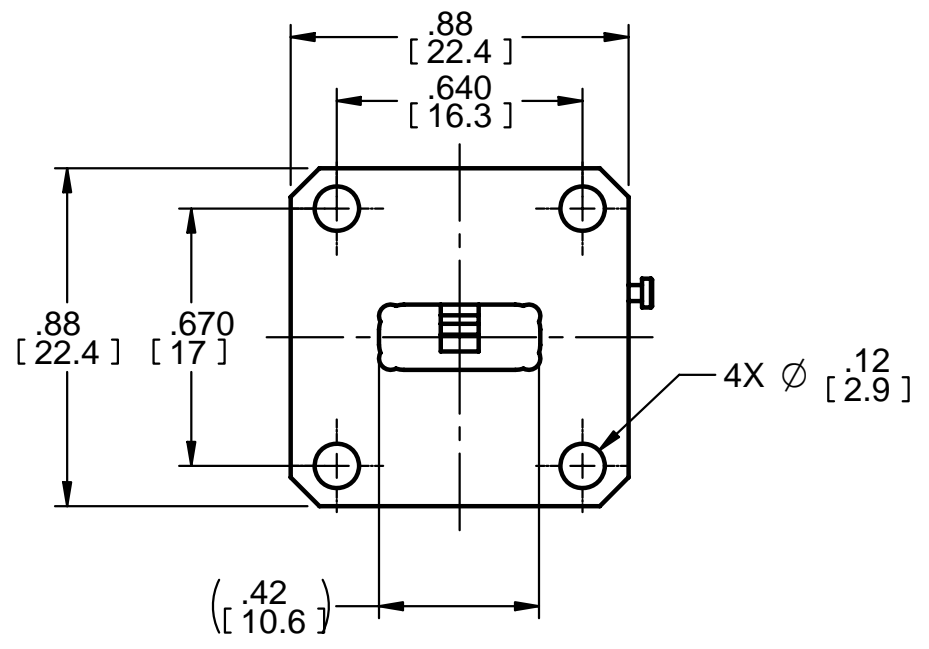
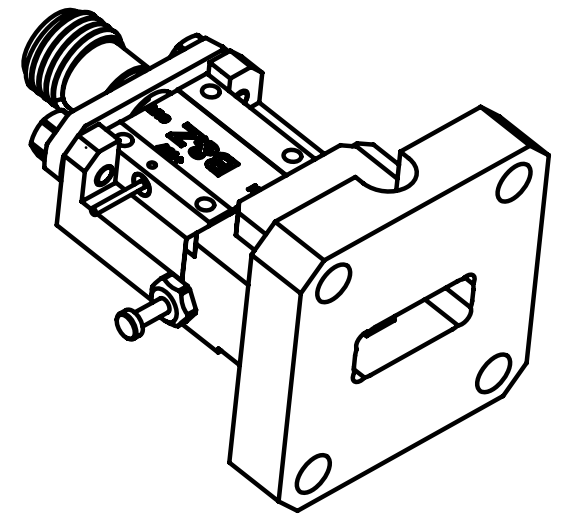


REVISION HISTORY			
REV	DESCRIPTION	DATE	APPROVED



ISOMETRIC VIEW



	NAME	DATE	B&Z TECHNOLOGIES	
DRAWN	Dan S.	11/17/08	PORT JEFFERSON, NEW YORK 11777	
CHECKED			TITLE	
ENG APPR			OUTLINE, WR-42	
MGR APPR			SIZE	DWG NO
UNLESS OTHERWISE SPECIFIED DIMENSIONS ARE IN INCHES ANGLES ±0.5° 2 PL ±0.01 3 PL ±0.005			B	100129
			REV	B
FILE NAME: 100129 B WR-42 OUTLINE.dft			SCALE:	WEIGHT: ~50g SHEET 1 OF 1