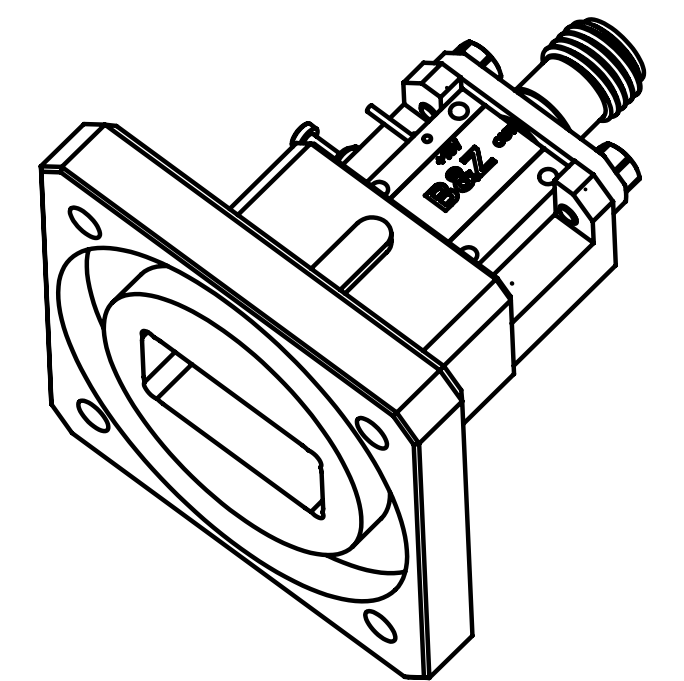
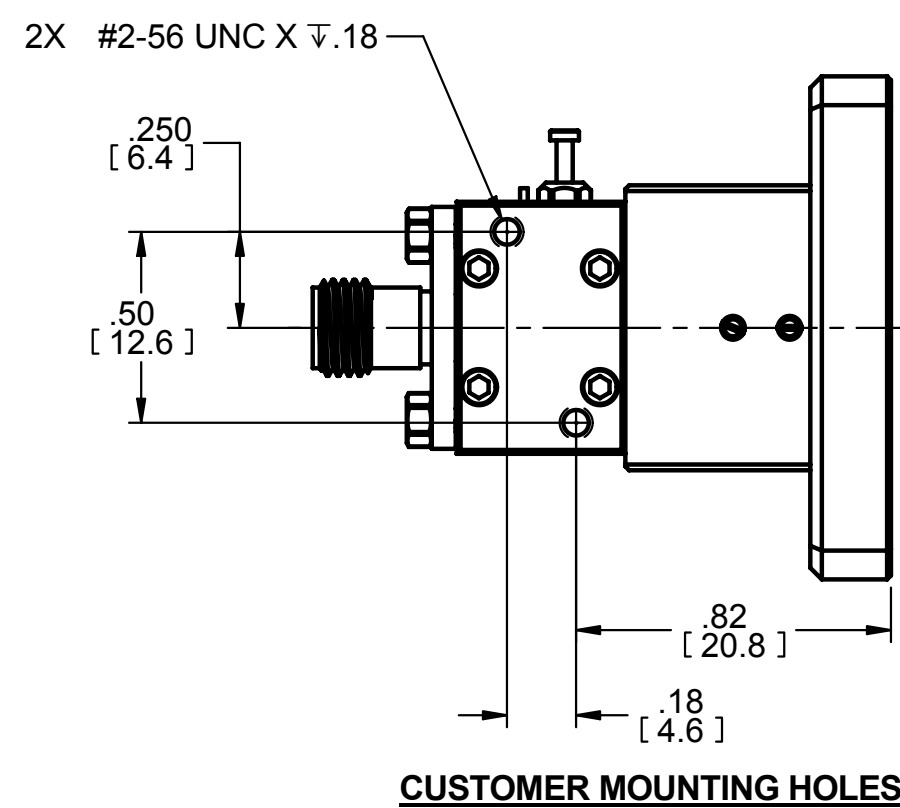
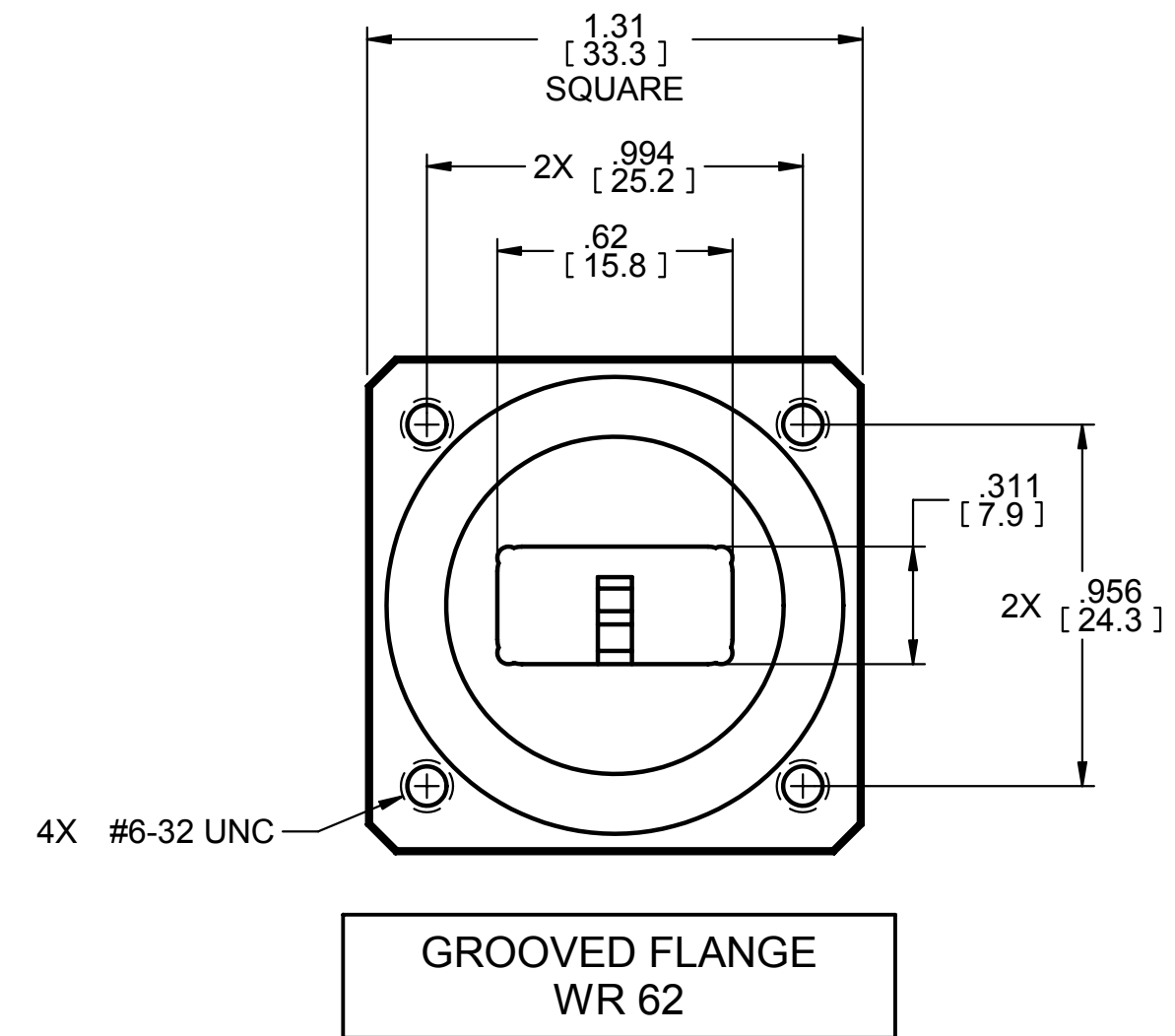
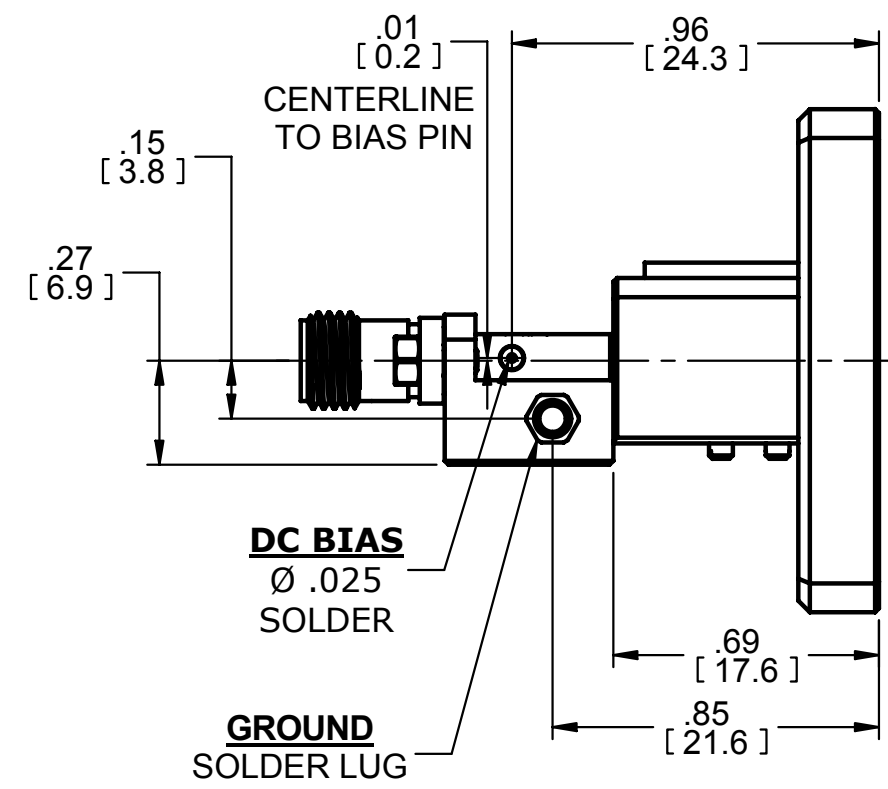
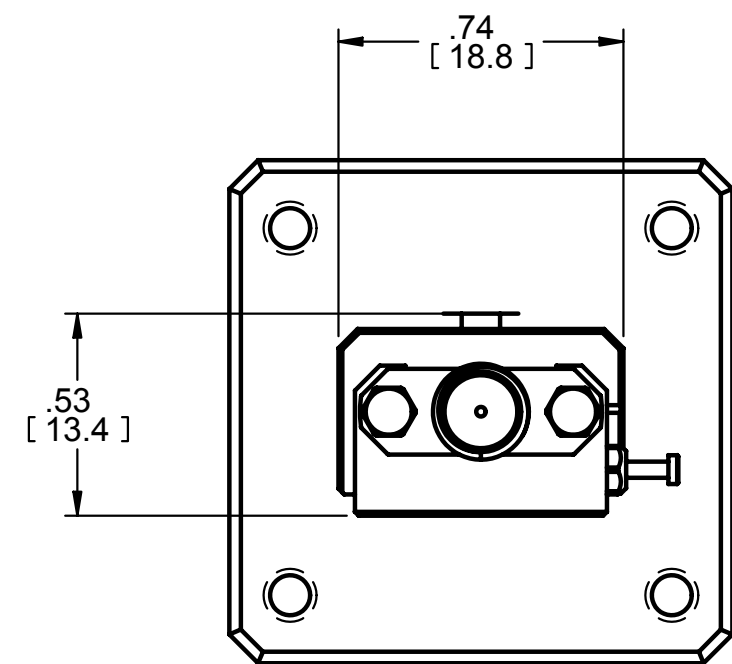
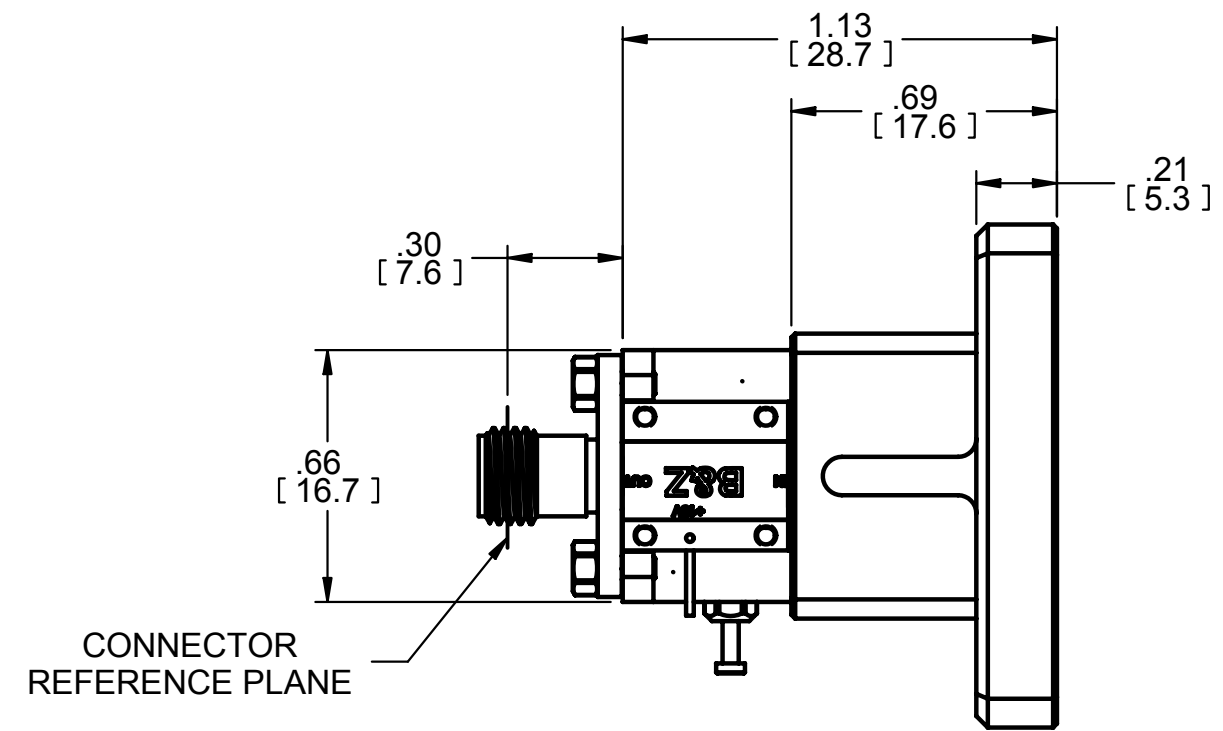



REVISION HISTORY			
REV	DESCRIPTION	DATE	APPROVED
			DS



	NAME	DATE	 B&Z TECHNOLOGIES <small>Stony Brook, New York 11790</small>		
DRAWN	Dan S.	04/01/09			
CHECKED					
ENG APPR					
MGR APPR			TITLE GROOVED FLANGE, WR-62		
UNLESS OTHERWISE SPECIFIED DIMENSIONS ARE IN INCHES ANGLES ±0.5° 2 PL ±0.01 3 PL ±0.005			SIZE C	DWG NO 100133	REV A
			FILE NAME: 100133_A_OUTLINE, GROOVED FLANGE, WR-62.dft	SCALE: 2:1	WEIGHT: SHEET 1 OF 1