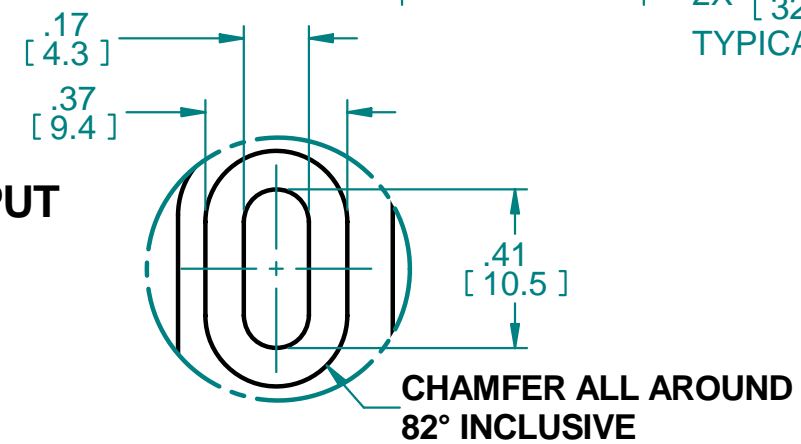
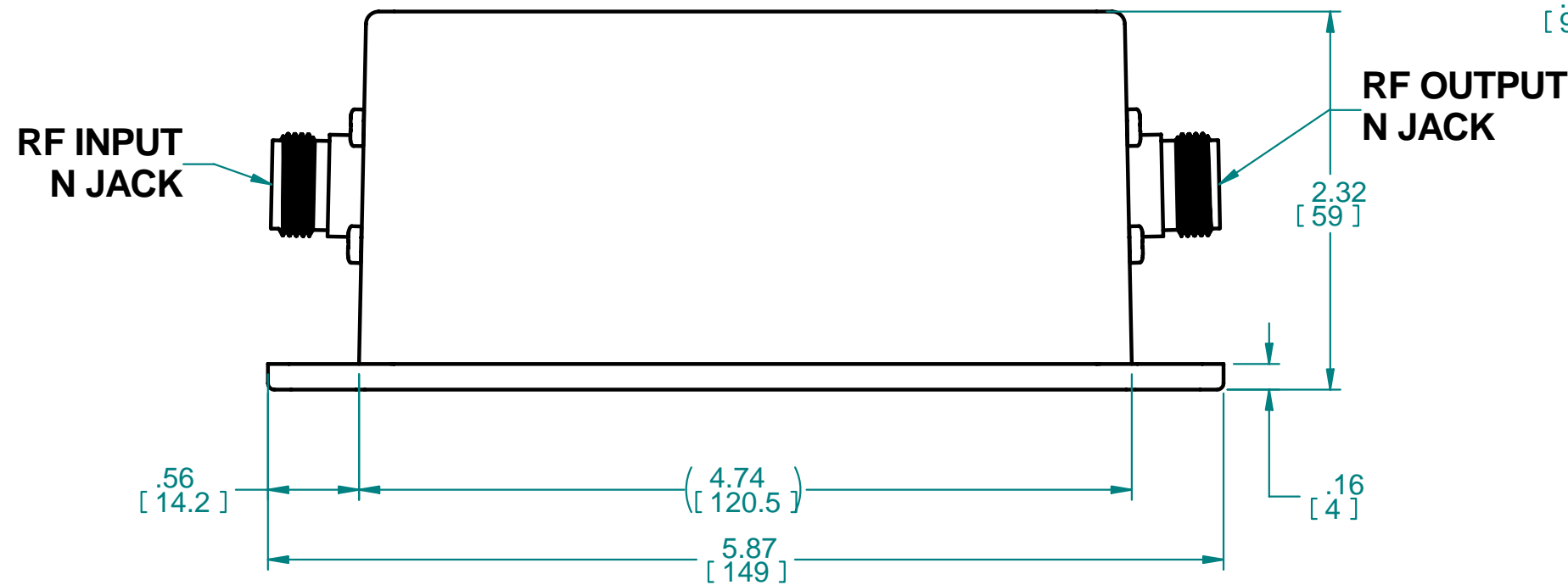
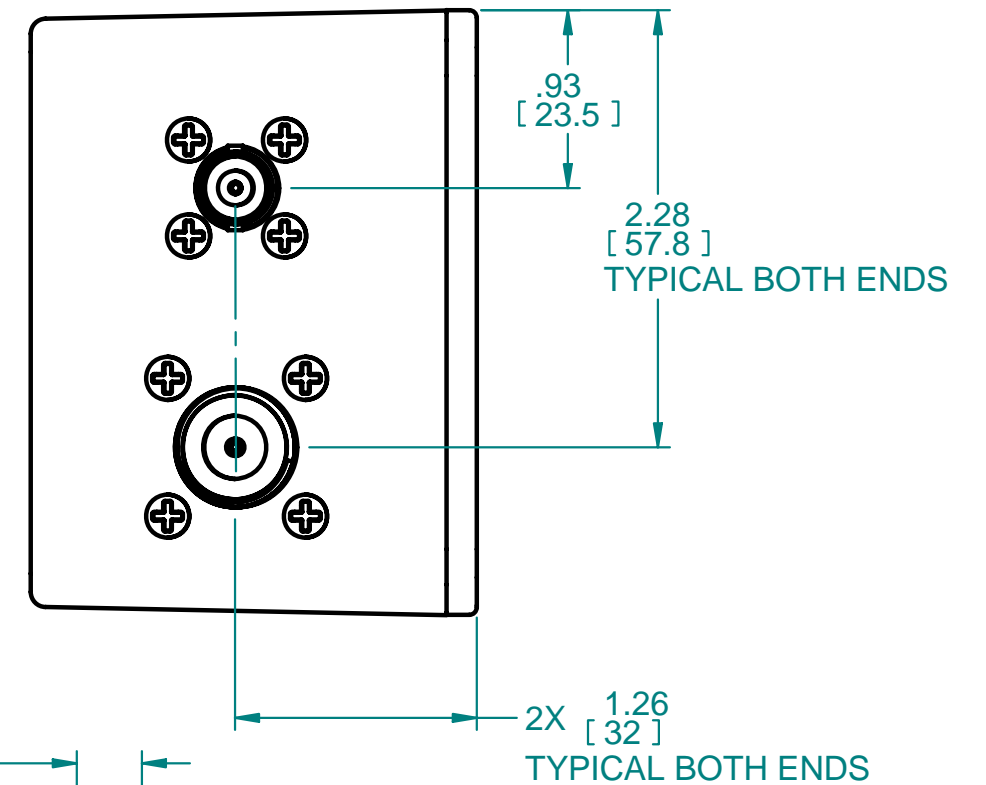
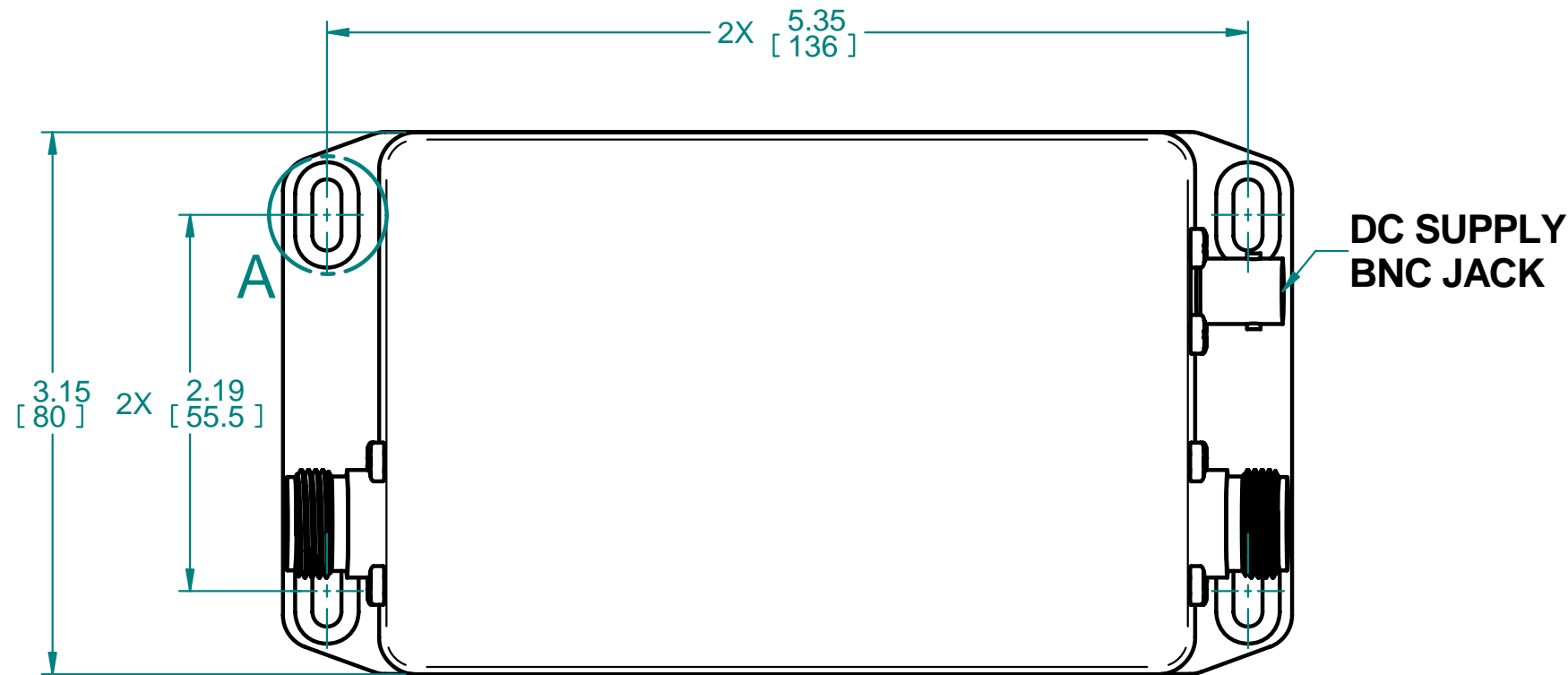


| REVISION HISTORY |             |      |          |
|------------------|-------------|------|----------|
| REV              | DESCRIPTION | DATE | APPROVED |
|                  |             |      |          |



### DETAIL A

|  |        |          |   |                                   |
|--|--------|----------|---|-----------------------------------|
|  | NAME   | DATE     | <b>B&amp;Z TECHNOLOGIES</b>                         |                                   |
| DRAWN  | Dan S. | 10/02/08 | STONY BROOK, NEW YORK 11790                         |                                   |
| CHECKED  |        |          | TITLE   |                                   |
| ENG APPR   |        |          | <b>OUTLINE,<br/>ENCLOSURE, FLANGED</b>              |                                   |
| MGR APPR   |        |          | SIZE B  | DWG NO <b>100136</b> REV <b>A</b> |
| UNLESS OTHERWISE SPECIFIED<br>DIMENSIONS ARE IN INCHES<br>ANGLES $\pm 0.5^\circ$<br>2 PL $\pm 0.01$ 3 PL $\pm 0.005$ |        |          | FILE NAME: 100136 A OUTLINE, ENCLOSURE, FLANGED.dft |                                   |
|  |        |          | SCALE: 1:1  | WEIGHT: SHEET 1 OF 1              |