

4

3

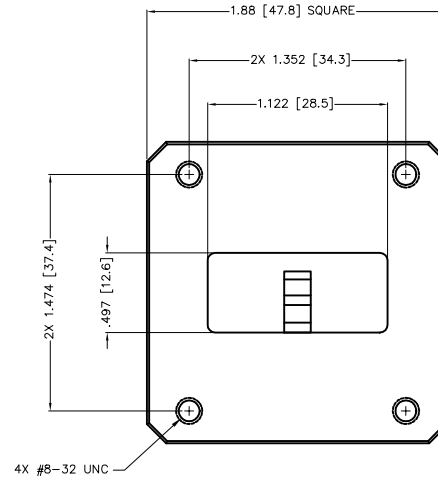
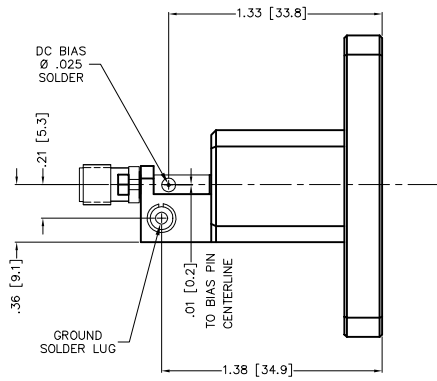
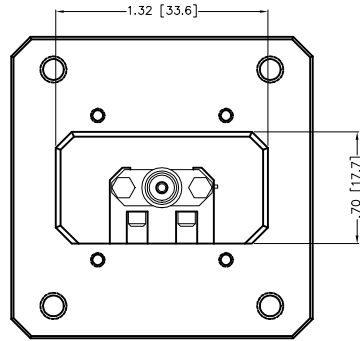
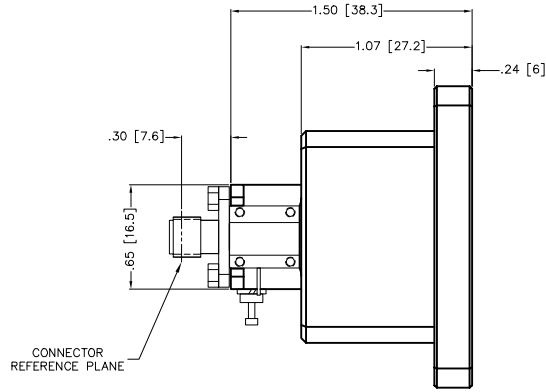
2

1

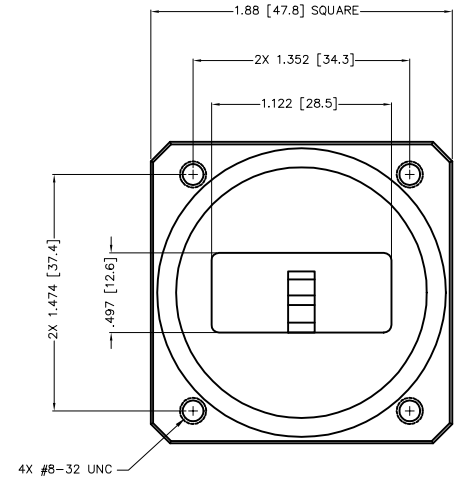
REVISIONS				
ZONE	LTR	DESCRIPTION	DATE	APPROVED
	A	INITIAL RELEASE	3/12/09	D.S.
	B	REDRAWN NO CHANGE	EM 7/13/17	

D

D



STANDARD FLANGE  
WR 112



GROOVED FLANGE  
WR 112

C

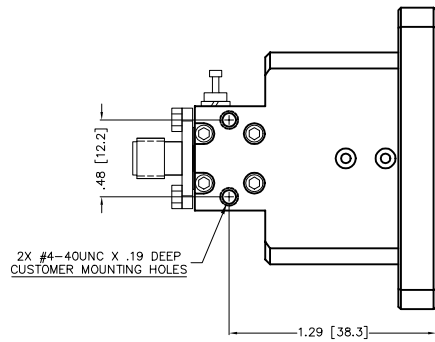
C

B

B

A

A



		UNLESS OTHERWISE SPECIFIED DIMENSIONS ARE IN INCHES TOLERANCES: ANGLES: ±1° 2 PL: ±.01 3 PL: ±.005	63/
100219		MATERIAL:	
100137		PROCESS:	
NEXT ASSY	USED ON	FINISH:	
APPLICATION			
SYSTEM:			

CONTRACT	
DRAWN E.Marty 3/12/17	CHECKED
ENGINEERING:	DATE:
QUALITY CONTROL:	DATE:
PROGRAM:	DATE:

B&Z TECHNOLOGIES SETAUKET, NEW YORK 11733			
OUTLINE, WR-112			
SIZE	CODE IDENT NO	DRAWING NO	REV
C		100137	B
SCALE NONE	DRW FILE: 100137B.dwg	SHEET 1 OF 1	

NOTICE: PROPRIETARY INFORMATION. THE DESIGN AND RELATED INFORMATION CONTAINED HEREIN IS THE SOLE PROPERTY OF B&Z TECHNOLOGIES.

**PROPRIETARY**

4

3

2

1