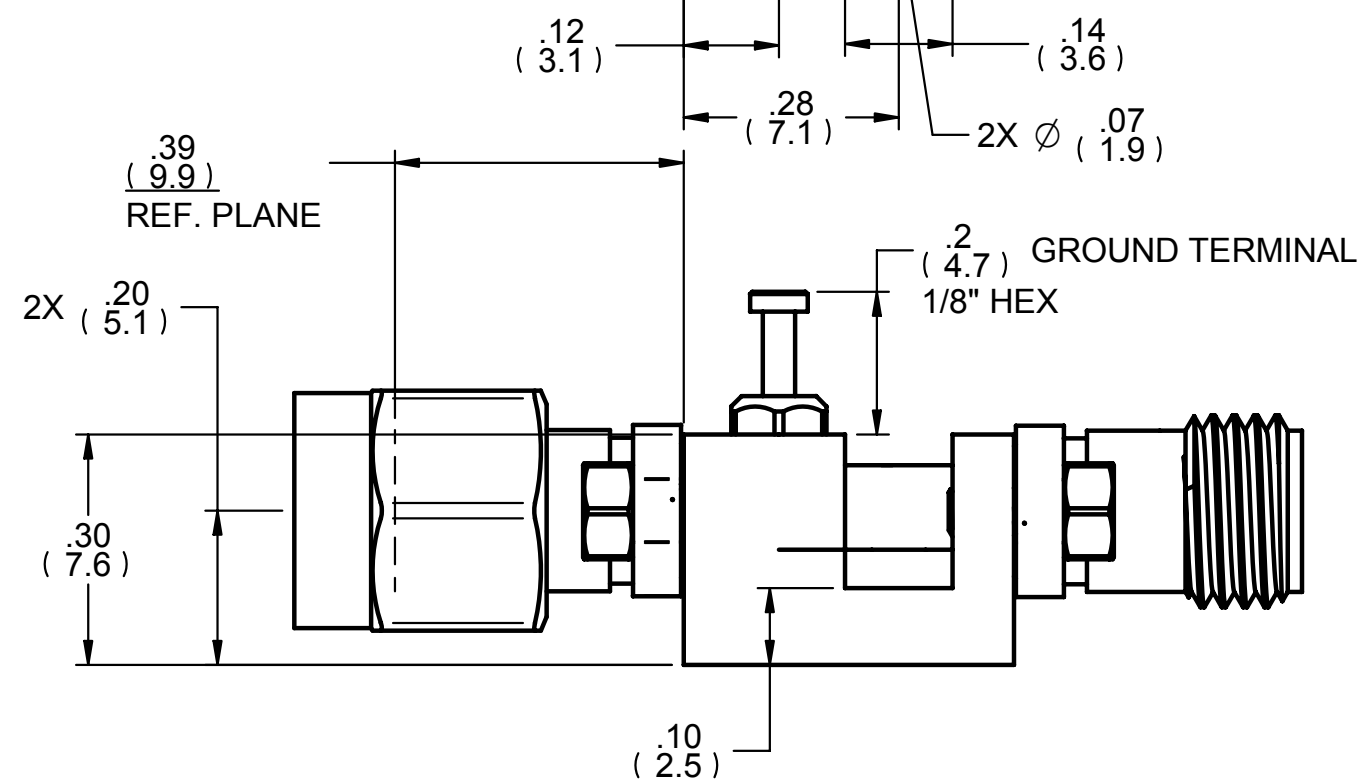
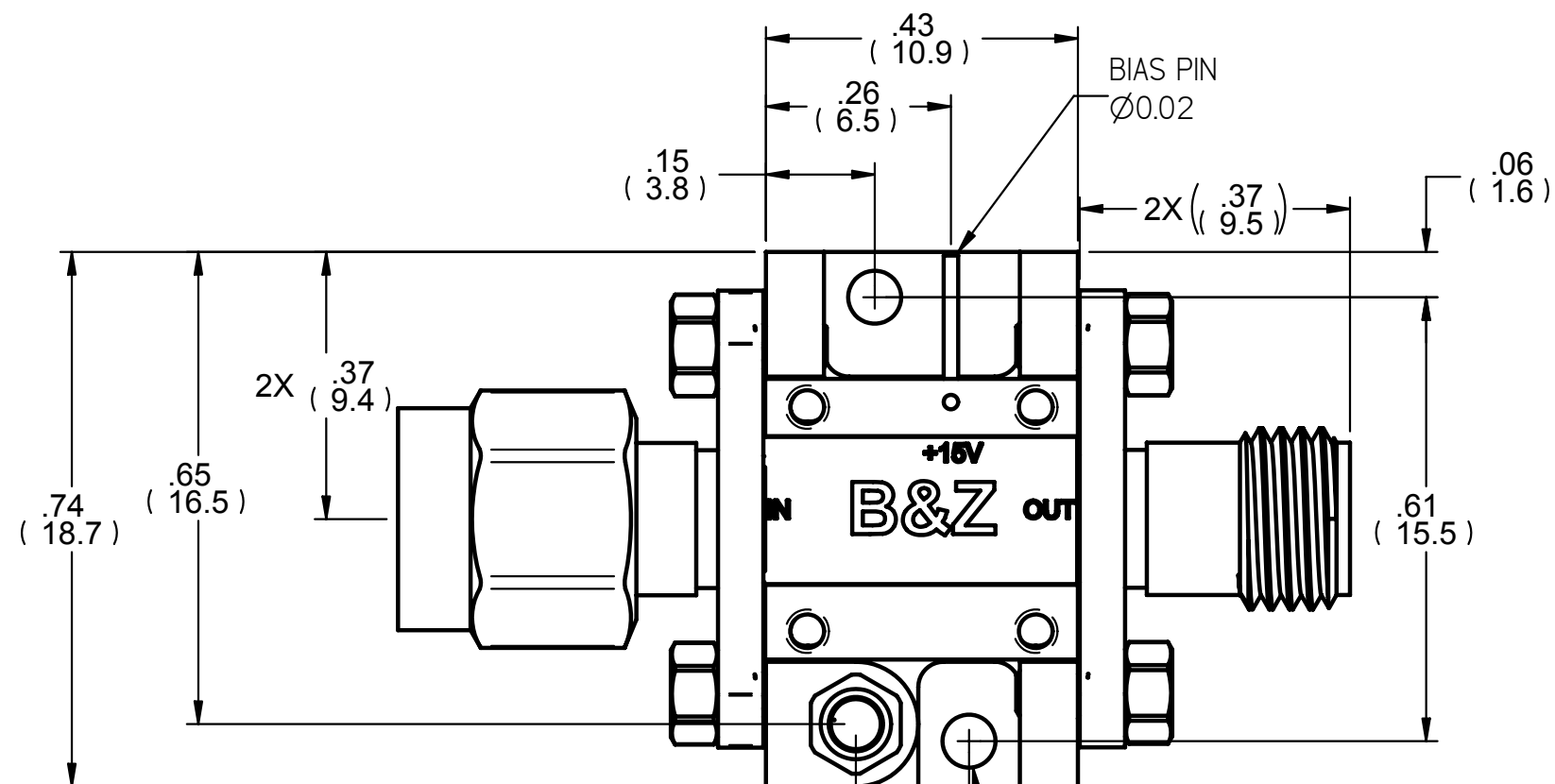


REVISION HISTORY

| REV | DESCRIPTION | DATE | APPROVED |
|-----|-------------|------|----------|
| | | | |



| NAME | DATE | B&Z TECHNOLOGIES | |
|---|----------|-----------------------------|--|
| DRAWN Dan S. | 01/19/10 | STONY BROOK, NEW YORK 11790 | |
| CHECKED | | TITLE | |
| ENG APPR | | OUTLINE, STANDARD | |
| MGR APPR | | SIZE B | DWG NO 100140 |
| UNLESS OTHERWISE SPECIFIED DIMENSIONS ARE IN INCHES ANGLES $\pm 0.05^\circ$ 2 PL ± 0.01 3 PL ± 0.005 | | REV A | FILE NAME: 100140 A_OUTLINE, STANDARD, M_INPUT.dft |
| | | SCALE: | WEIGHT: |
| | | SHEET 1 OF 1 | |