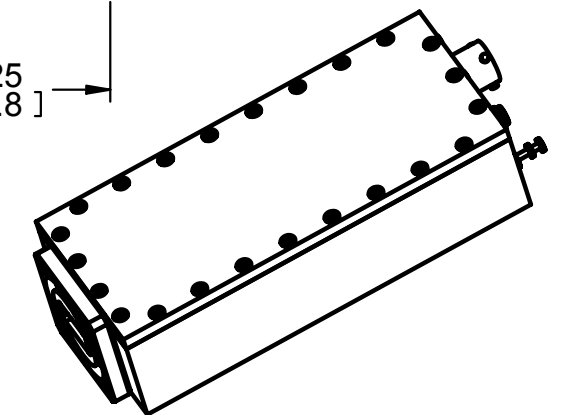
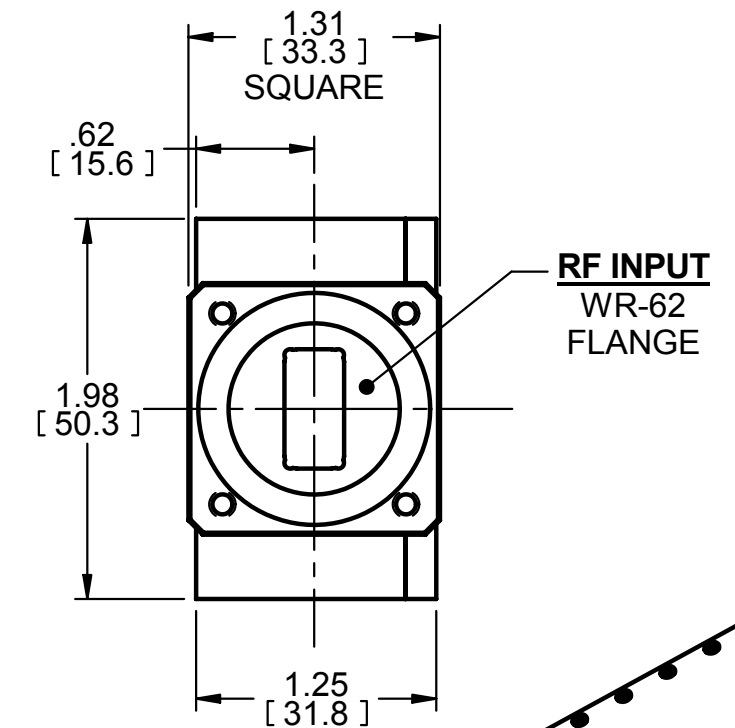
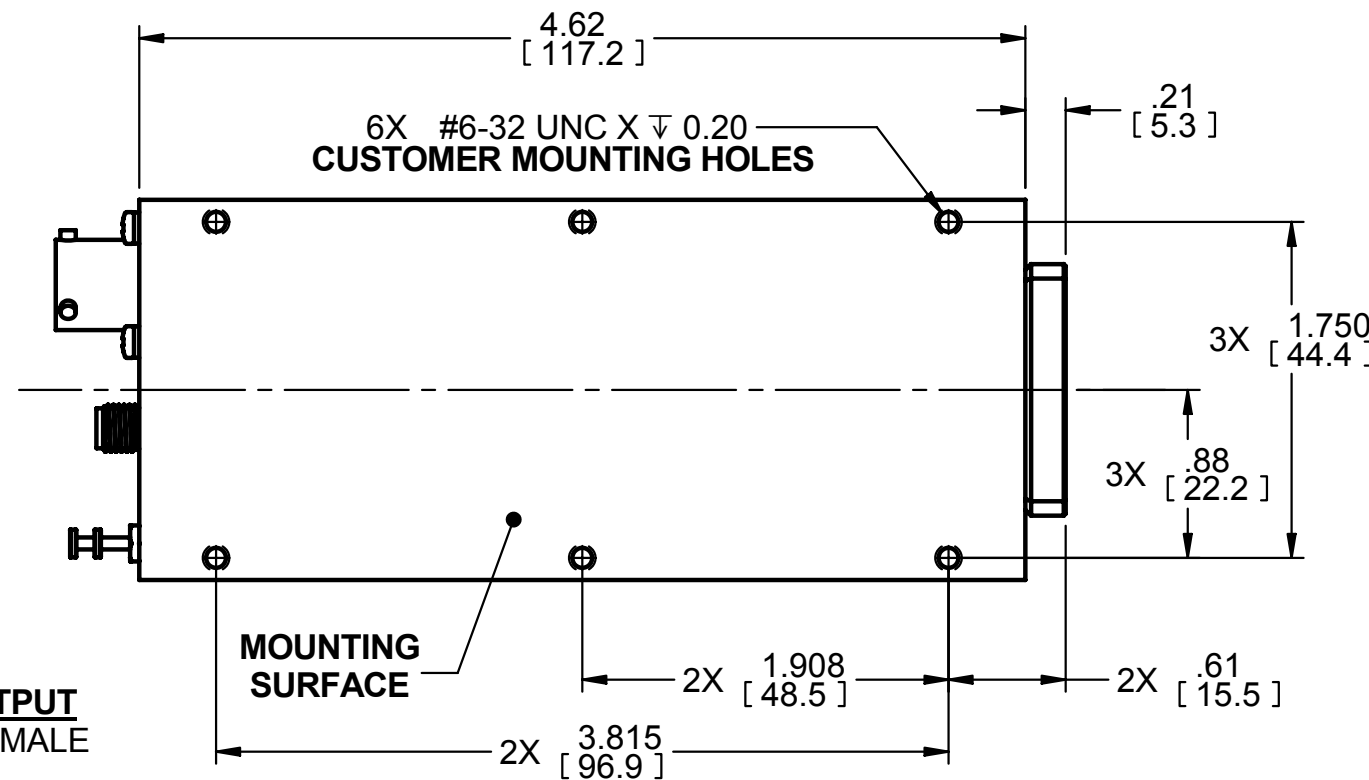
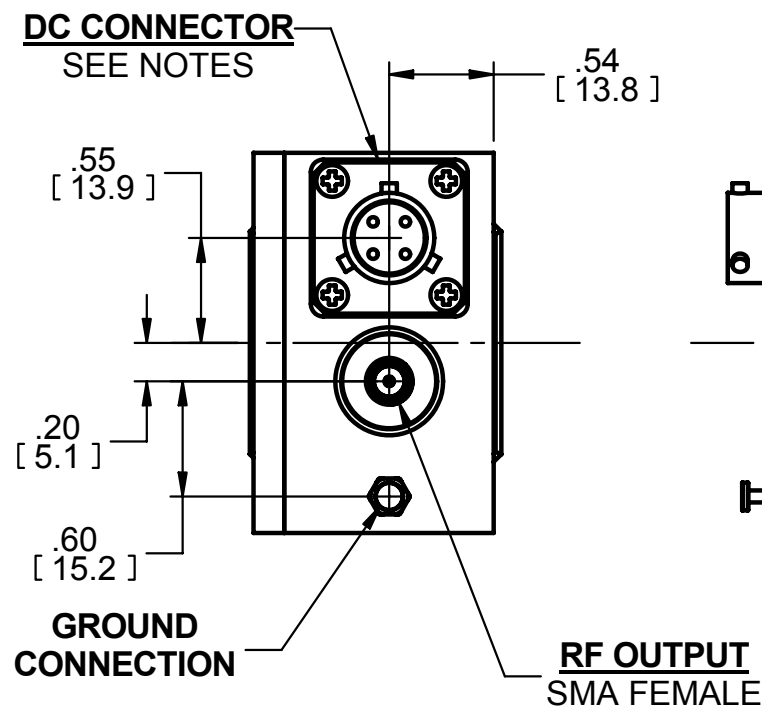
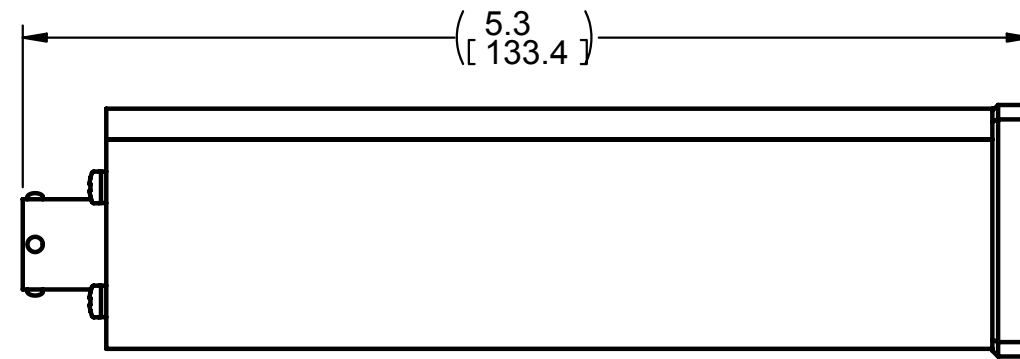


REVISION HISTORY

| REV | DESCRIPTION     | DATE  | APPROVED |
|-----|-----------------|-------|----------|
| A   | INITIAL RELEASE | 05/10 | DS       |



NOTES:

- DC CONNECTOR: TYPE - MS3112E8-4P  
MATING CONNECTOR: MS3116F8-4S

|          | NAME   | DATE     |
|----------|--------|----------|
| DRAWN    | Dan S. | 05/19/10 |
| CHECKED  |        |          |
| ENG APPR |        |          |
| MGR APPR |        |          |



TITLE **OUTLINE, LNA,  
WR-62, OUTDOOR**

UNLESS OTHERWISE SPECIFIED  
DIMENSIONS ARE IN INCHES  
ANGLES ±0.5°  
2 PL ±0.01 3 PL ±0.005

| SIZE   | DWG NO  | REV          |
|--|---------|--------------|
| B  | 100144  | A            |
| FILE NAME: 100144_A OUTLINE, WR-62, WEATHERPROOF.dft |         |              |
| SCALE: 1:1   | WEIGHT: | SHEET 1 OF 1 |