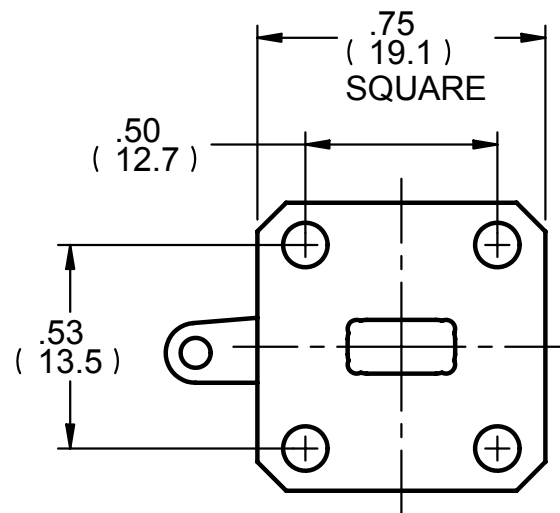
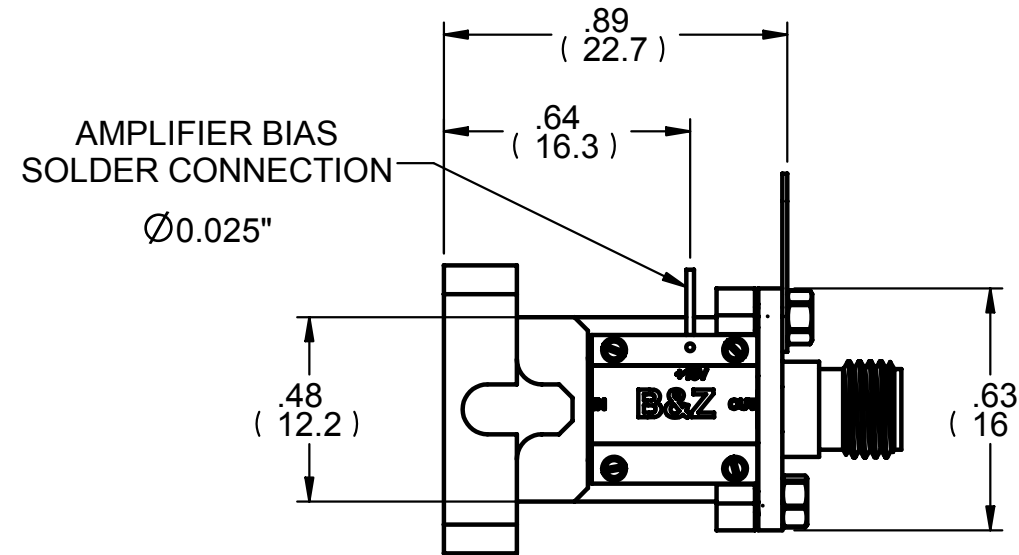
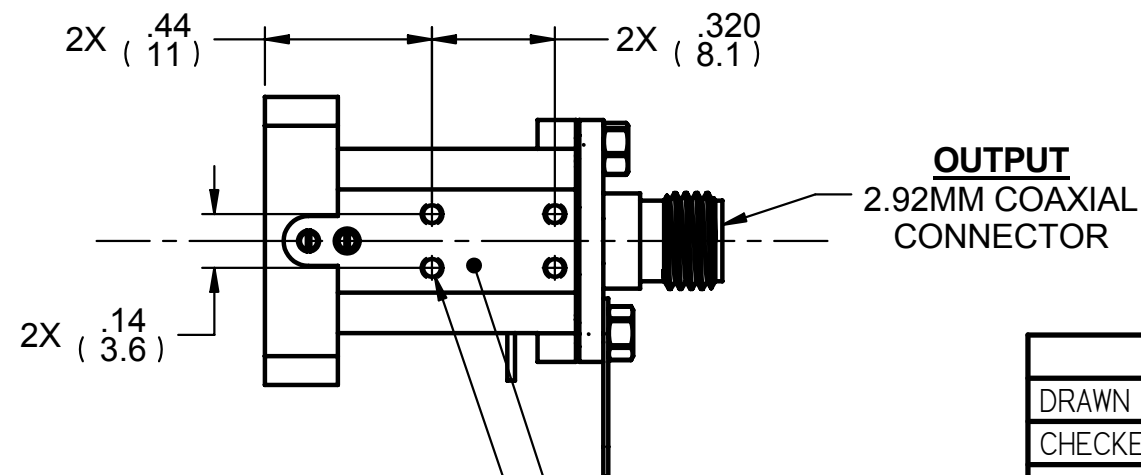
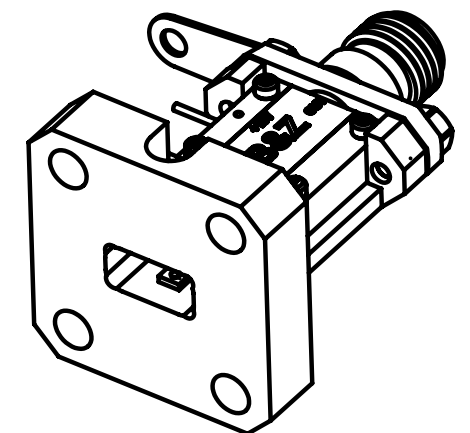
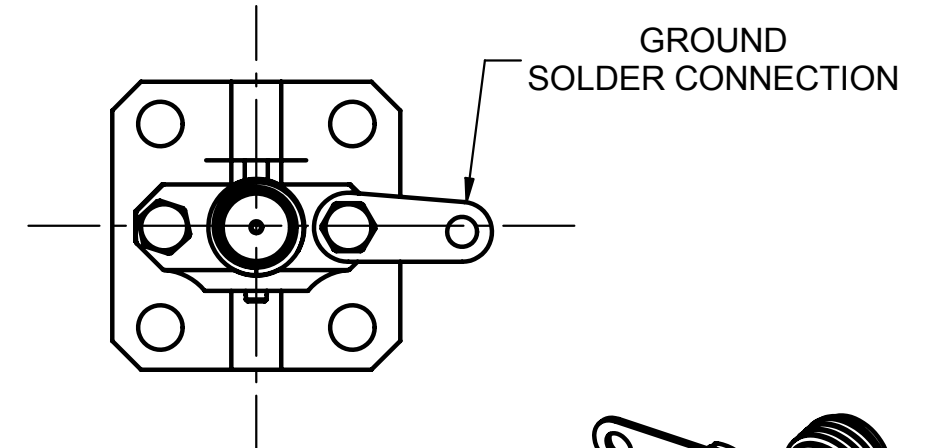
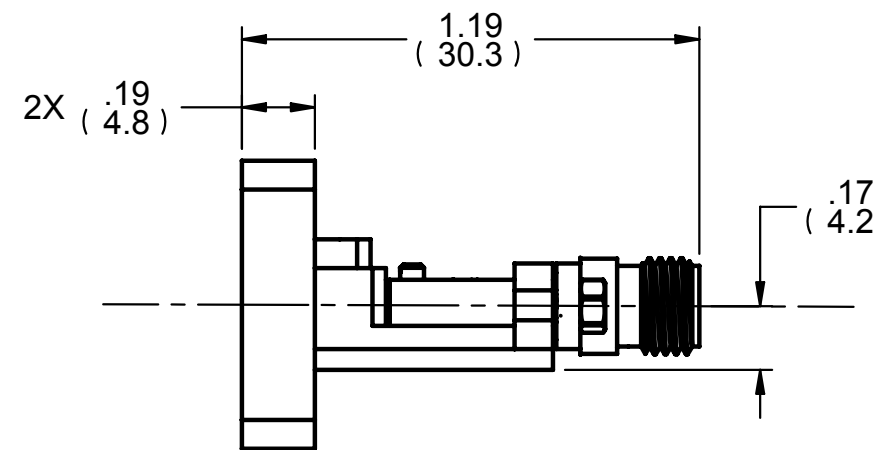


REVISION HISTORY

REV	DESCRIPTION	DATE	APPROVED
A	INITIAL RELEASE	06/10	DS



**INPUT**  
WR-28  
COVER FLANGE



**MOUNTING SURFACE**

4X #0-80 UNF  
▽ 0.1" MAXIMUM

NOTES:

- MATERIAL: BRASS, 360 FREE MACHINING
- FINISH:  
ELECTROLESS NICKLE PER SAE AMS-C-26074B .0001" TO .0002"  
PURE GOLD PER ASTM B 488-01 CODE A, TYPE III .00005"

	NAME	DATE
DRAWN	Dan S.	06/23/10
CHECKED		
ENG APPR		
MGR APPR		

UNLESS OTHERWISE SPECIFIED  
DIMENSIONS ARE IN INCHES  
ANGLES  $\pm 0.5^\circ$   
2 PL  $\pm 0.01$  3 PL  $\pm 0.005$



TITLE		
OUTLINE, WR-28		
SIZE B	DWG NO	REV A
	100145	
FILE NAME: 100145 A WR-28 OUTLINE.dft		
SCALE:	WEIGHT:	SHEET 1 OF 1