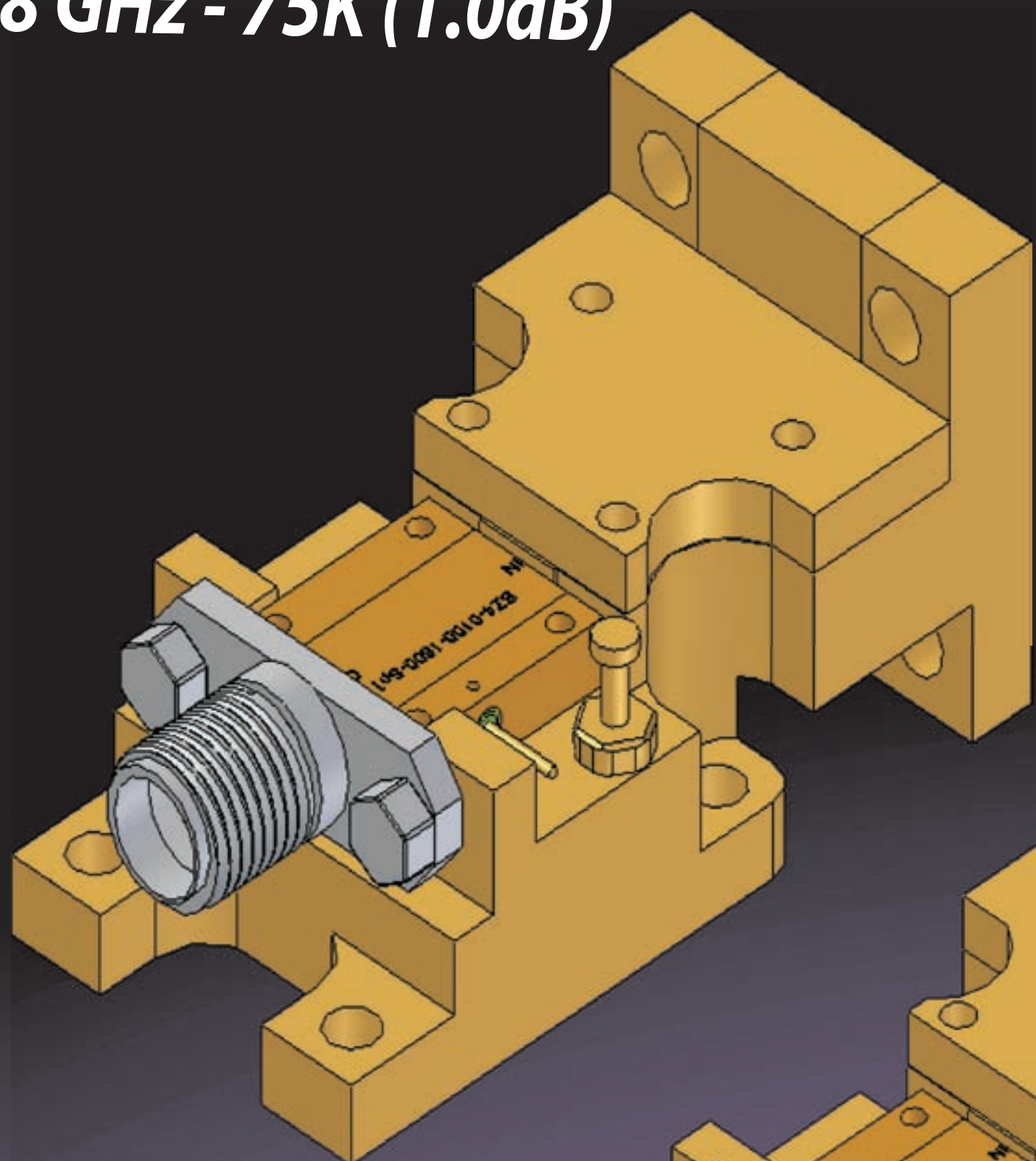


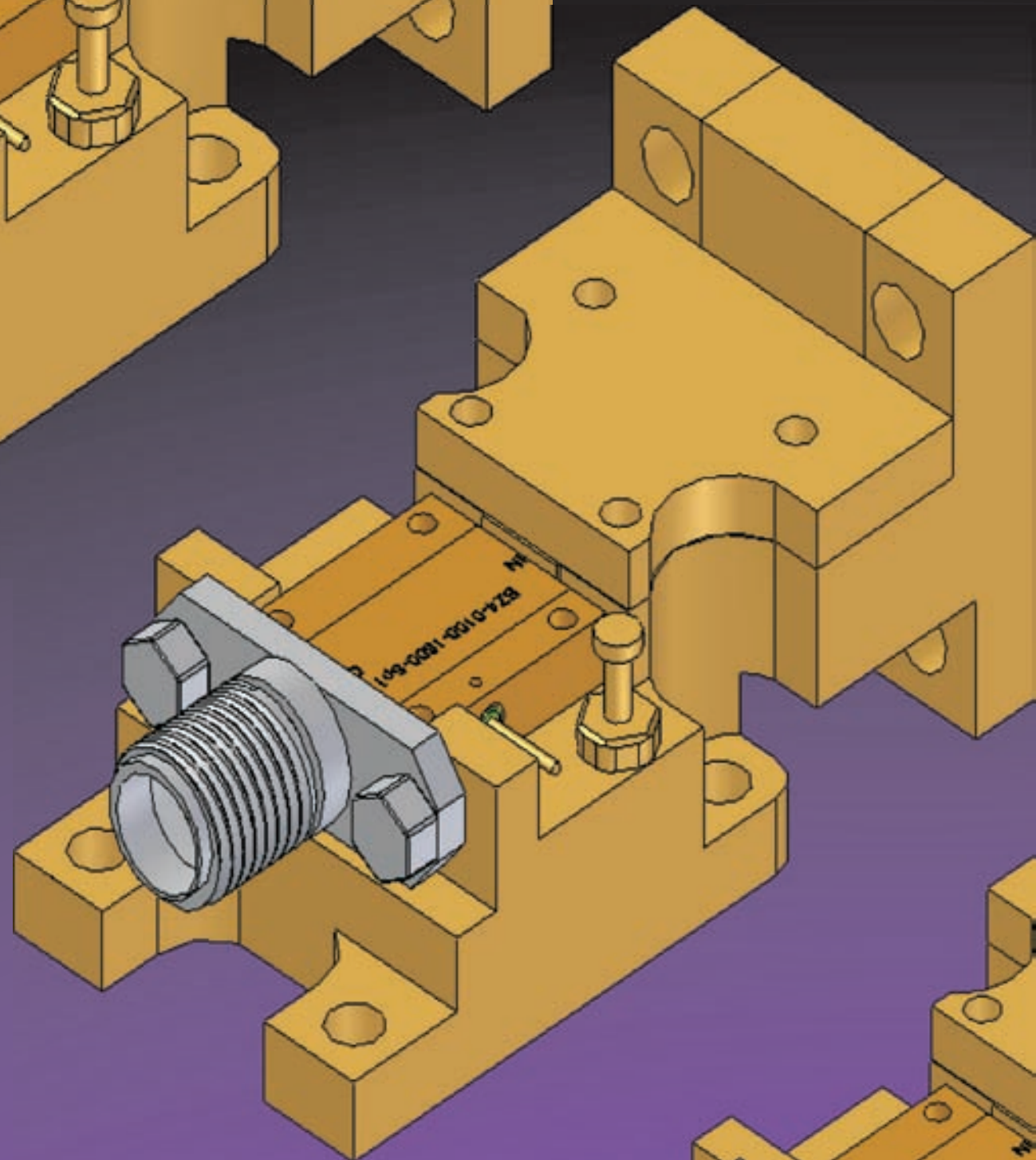
BROADBAND WAVEGUIDE

AND SATCOM LNA'S

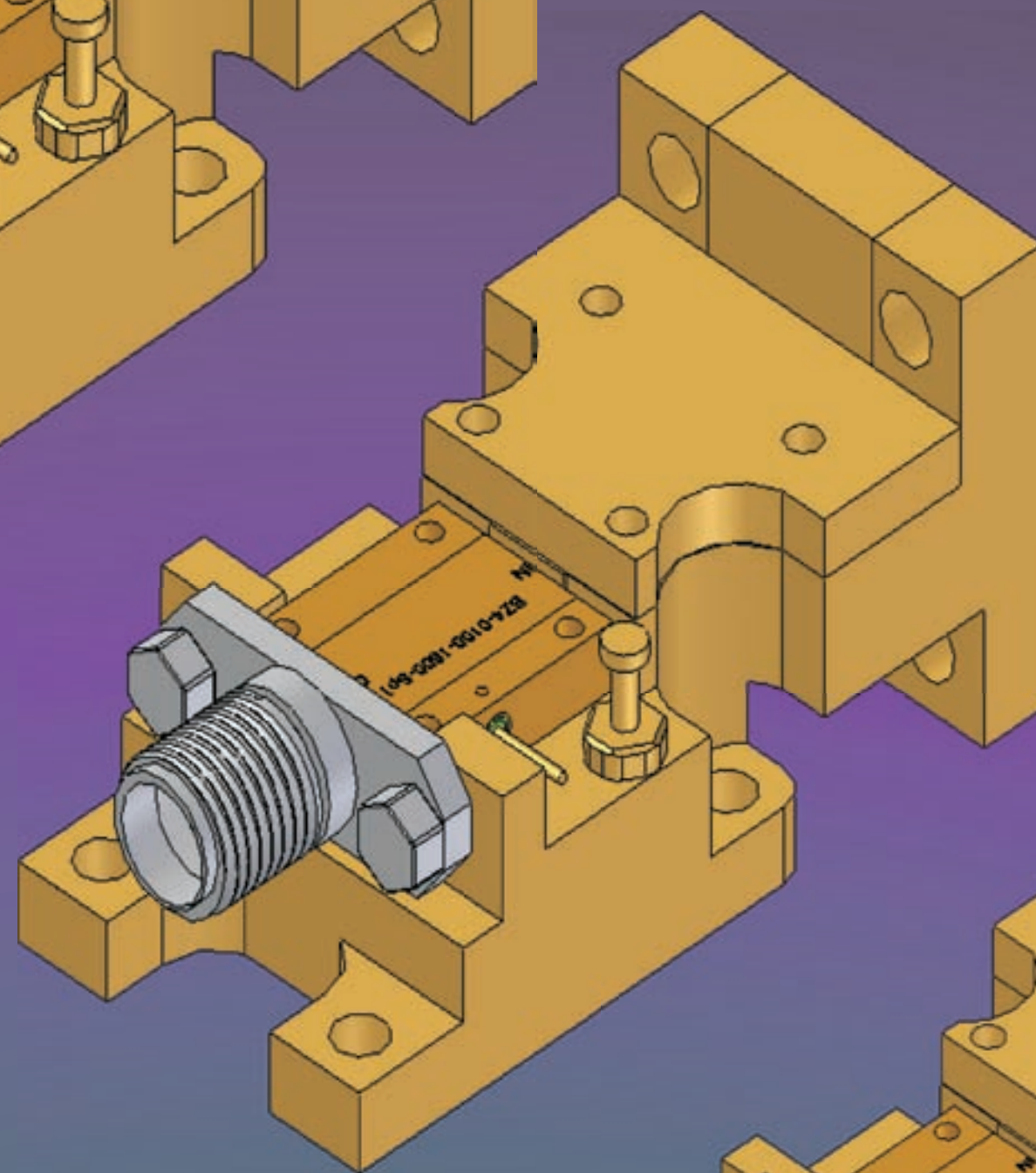
4 - 8 GHz - 75K (1.0dB)



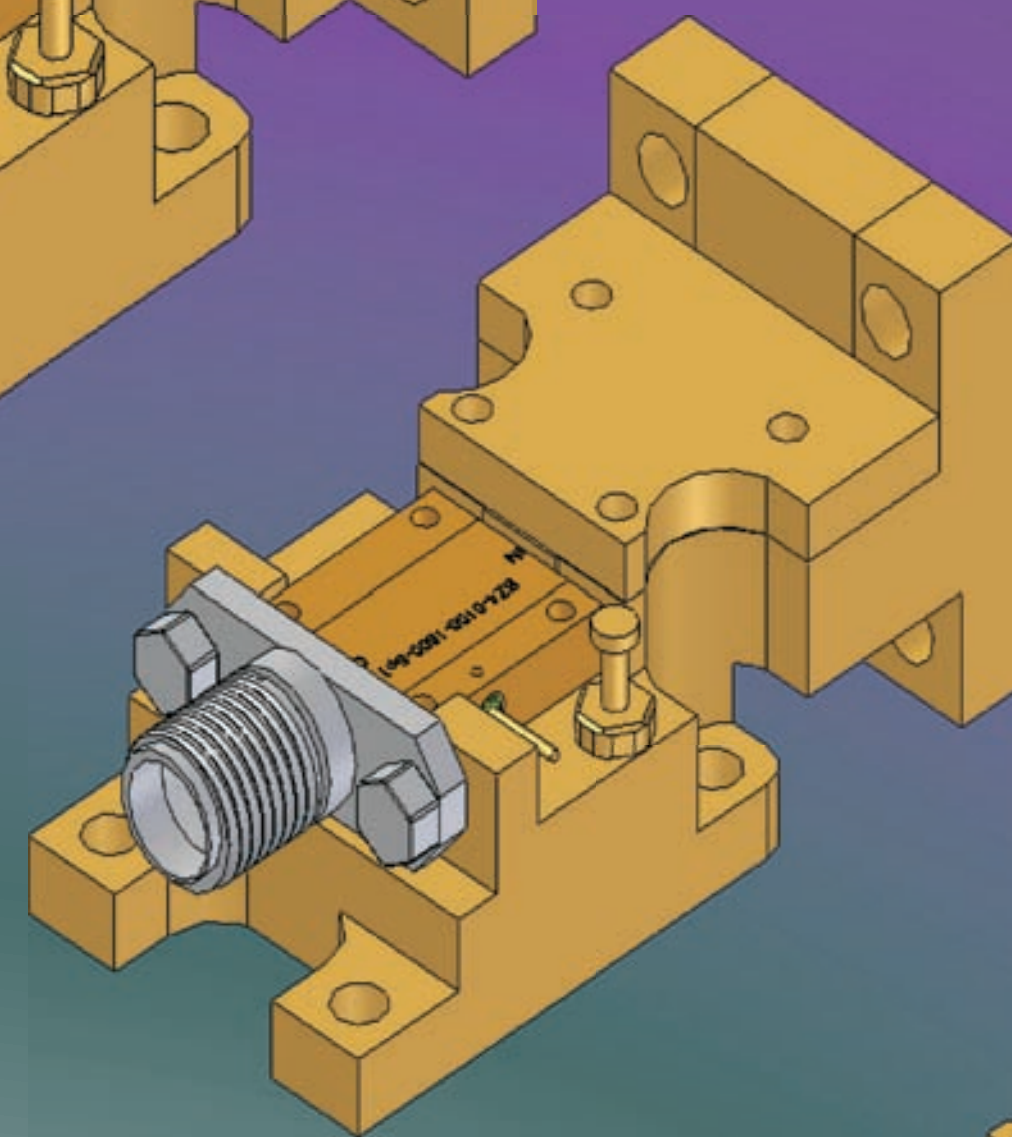
8 - 12 GHz - 75K (1.0dB)



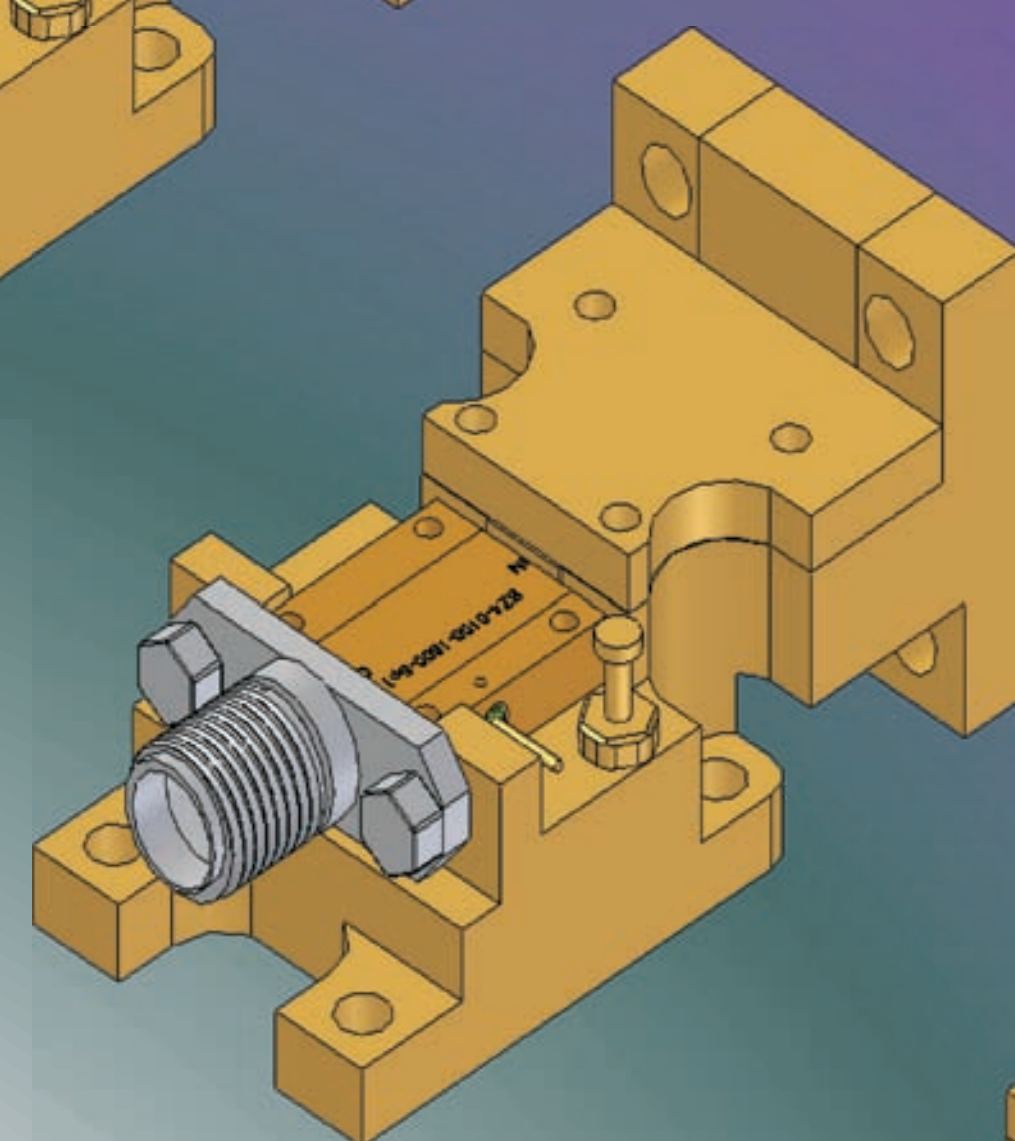
12 - 18 GHz - 110K (1.4dB)



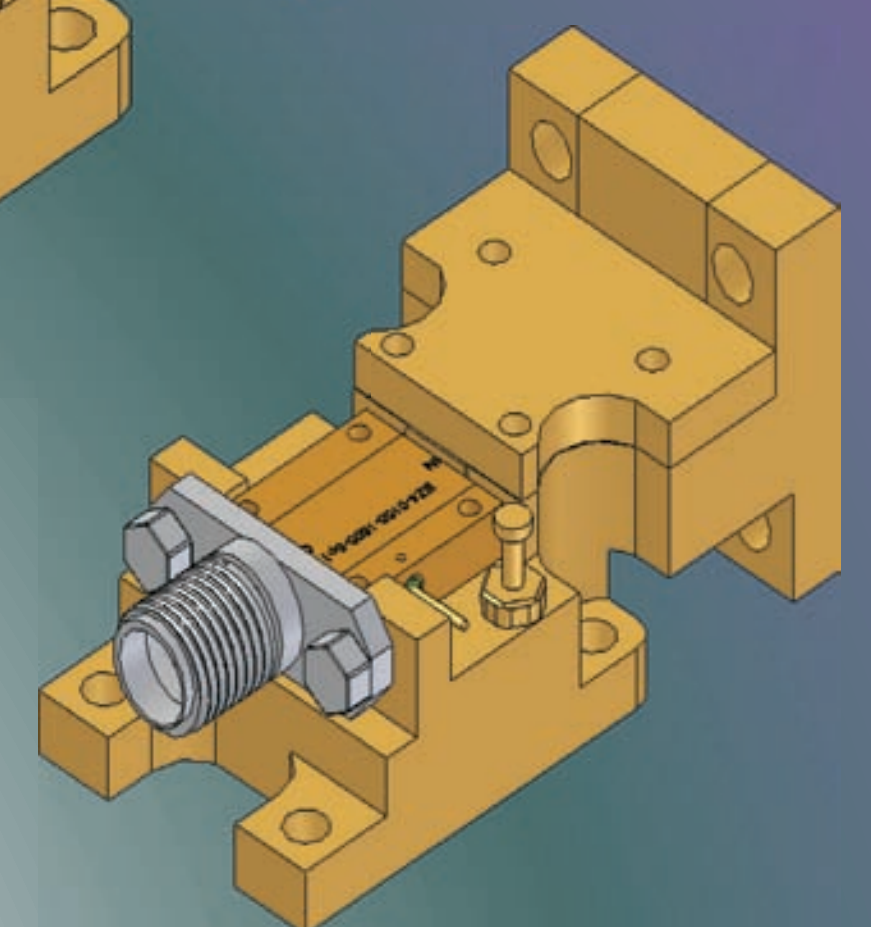
19 - 22 GHz - 110K (1.4dB)



18 - 26 GHz - 150K (1.8dB)



26 - 40 GHz - 290K (3.0dB)



OPTIONS

Optimized in selected bands for:

- Lower Noise Figure
- Higher Gain
- Lower In & Out VSWR

FEATURES

- GAIN 30 dB Typical
- Power 1 dB Comp 10dBm Typical
- VSWR IN & OUT 2.0:1 / 2.0:1
- Unconditionally Stable at all temperatures
- Internally Regulated DC Voltage



www.bnztech.com
Phone: 631-331-0101

Innovating to Excel