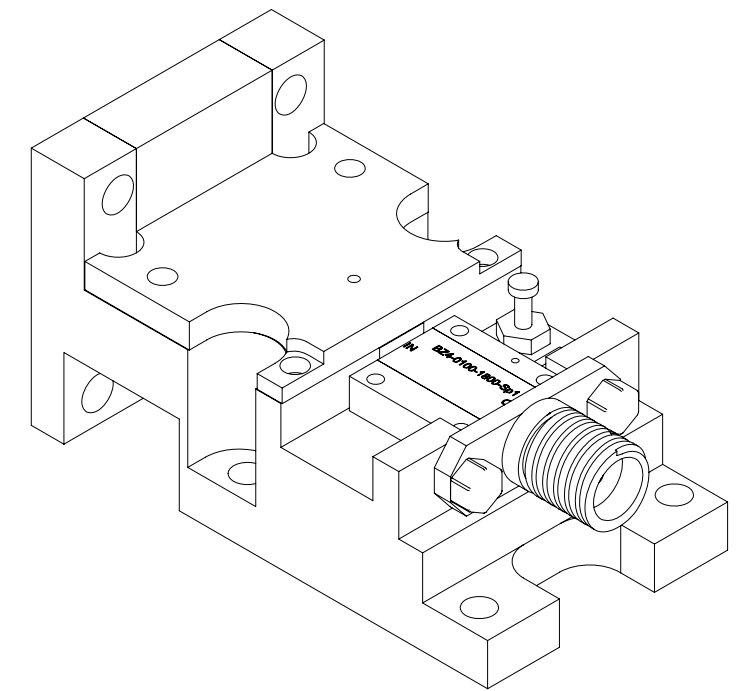
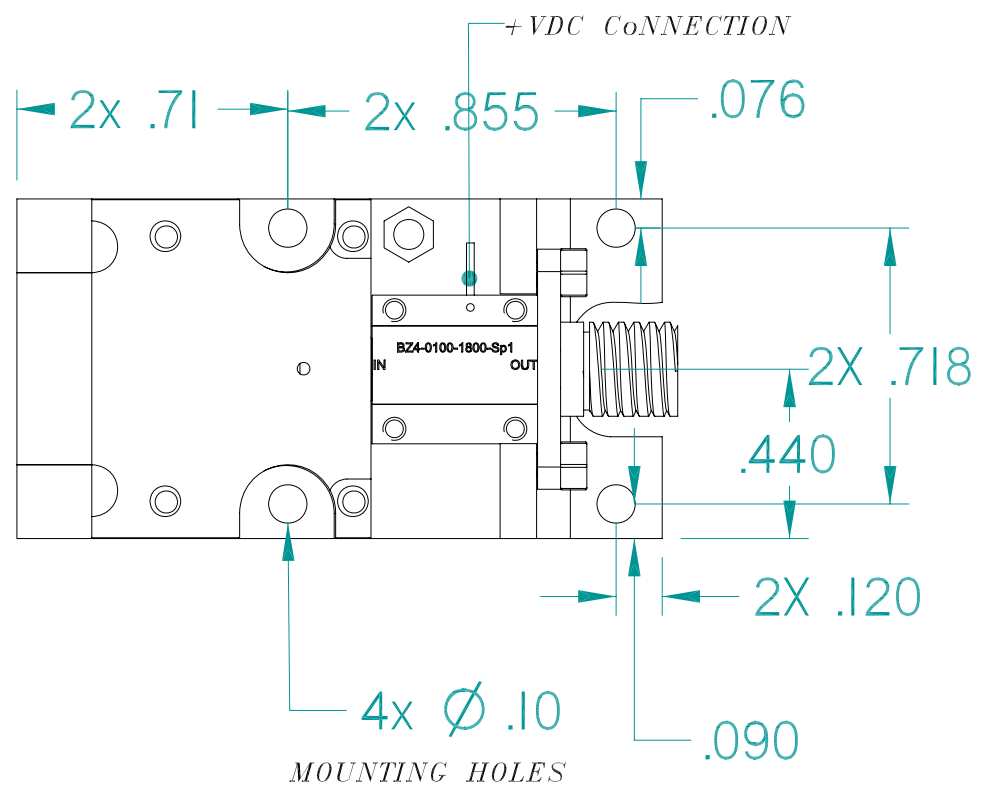
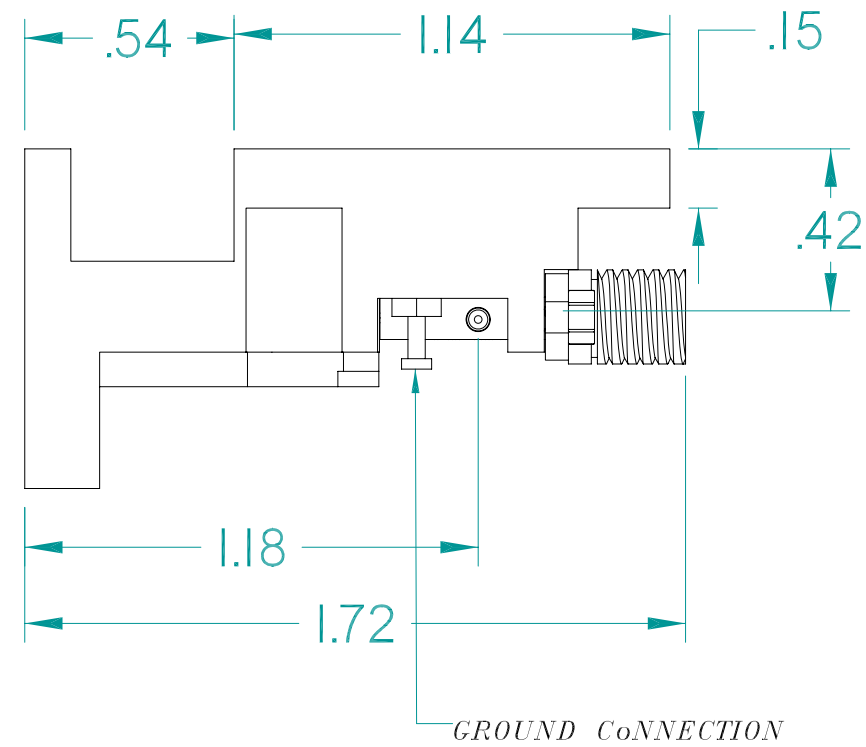
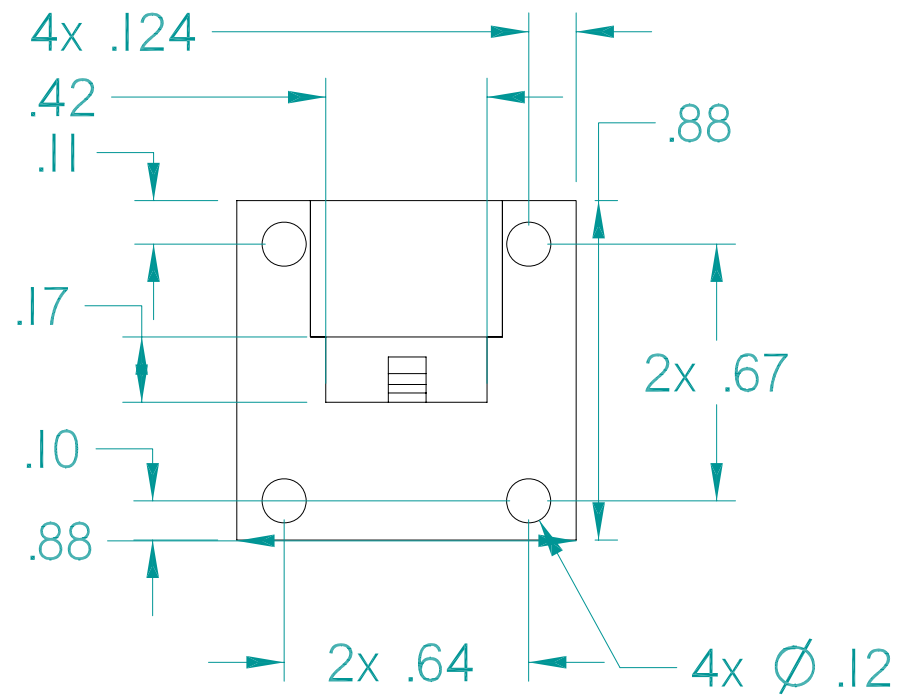


REVISION HISTORY

REV	DESCRIPTION	DATE	APPROVED



	NAME	DATE	<b>B&amp;Z TECHNOLOGIES</b> PORT JEFFERSON, NEW YORK 11777 TITLE		
DRAWN	SolidEdge	01/22/07			
CHECKED					
ENG APPR					
MGR APPR			SIZE	DWG NO	REV
UNLESS OTHERWISE SPECIFIED DIMENSIONS ARE IN MILLIMETERS ANGLES ±X.X° 2 PL ±X.XX 3 PL ±X.XXX			A3		1.0
			FILE NAME: 18-26 WaveGuide_Final.dft		
			SCALE:	WEIGHT:	SHEET 2 OF 1