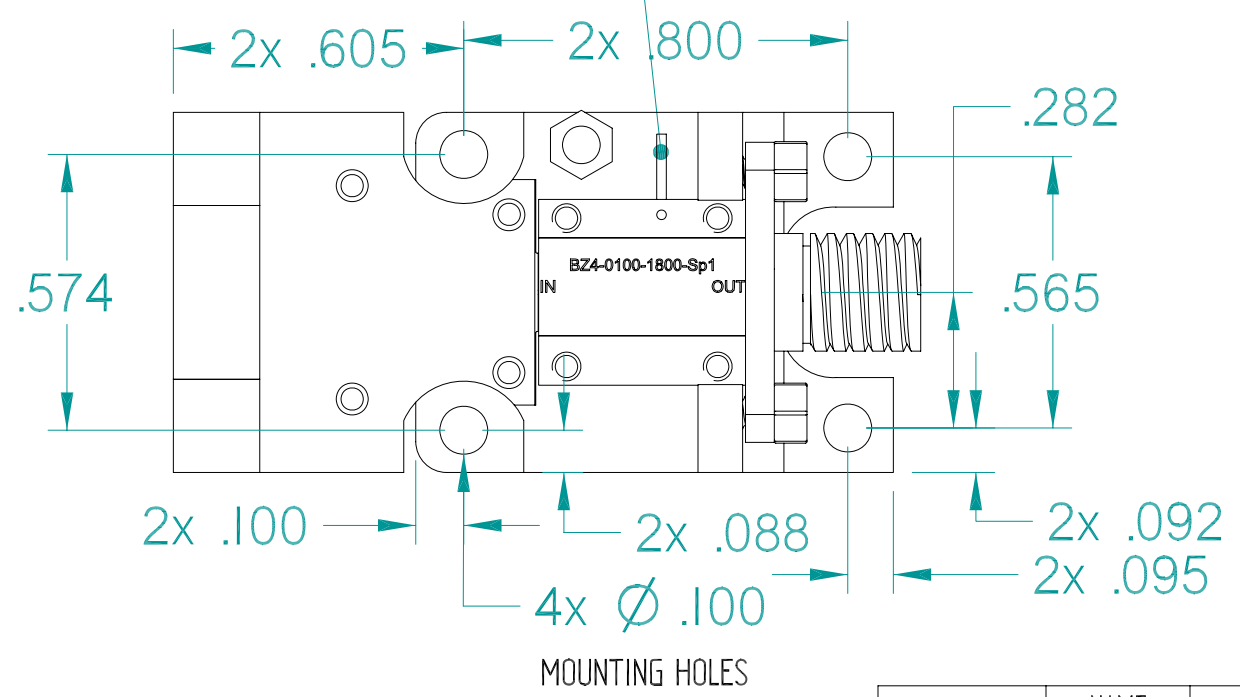
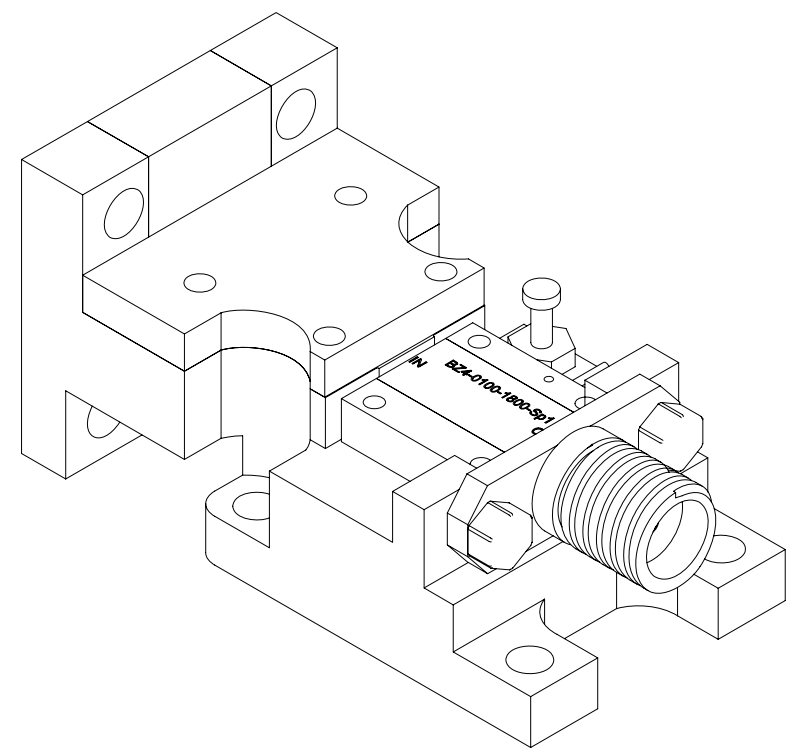
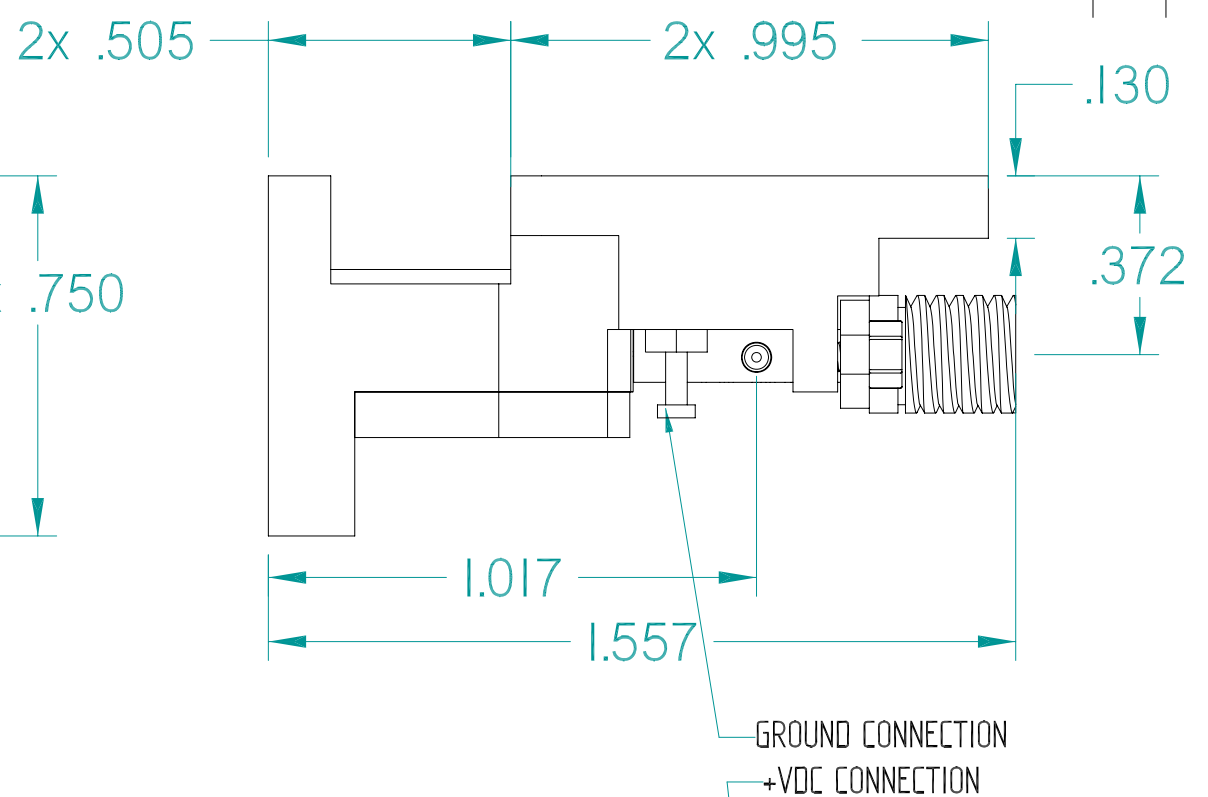
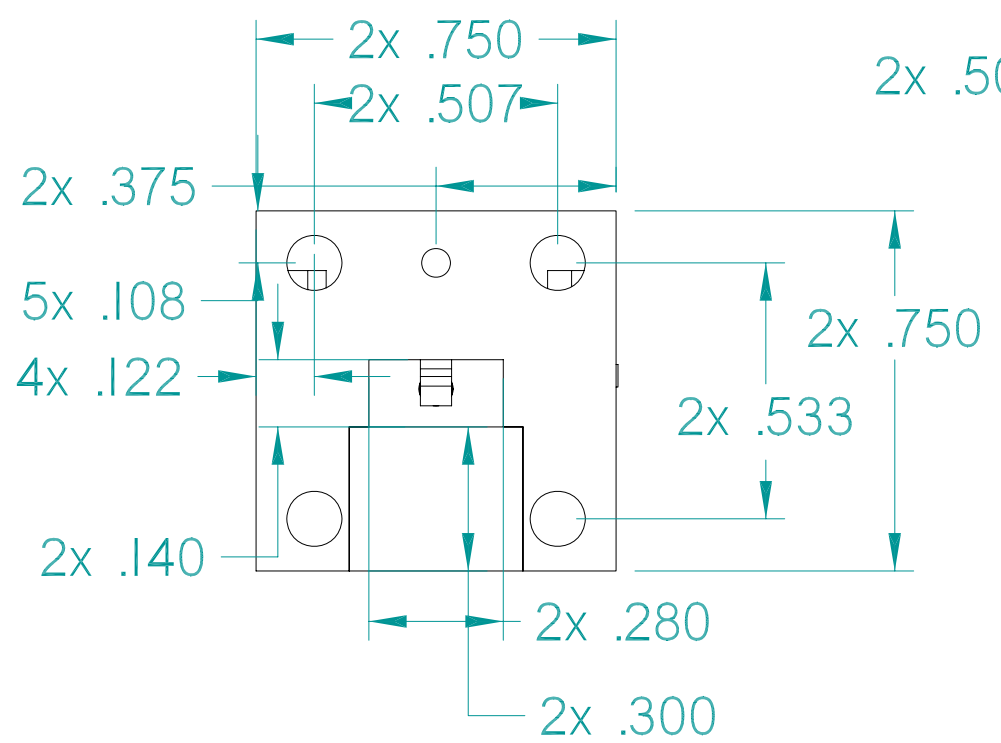


REVISION HISTORY			
REV	DESCRIPTION	DATE	APPROVED



NAME	DATE	B&Z TECHNOLOGIES PORT JEFFERSON, NEW YORK 11777 TITLE		
DRAWN	SolidEdge 01/21/07			
CHECKED				
ENG APPR				
MGR APPR		SIZE	DWG NO	REV
UNLESS OTHERWISE SPECIFIED DIMENSIONS ARE IN MILLIMETERS ANGLES ±X.X° 2 PL ±X.XX 3 PL ±X.XXX		A3		1.0
		FILE NAME: 26 -40 WaveGuide.dft		
		SCALE:	WEIGHT:	SHEET 2 OF 1