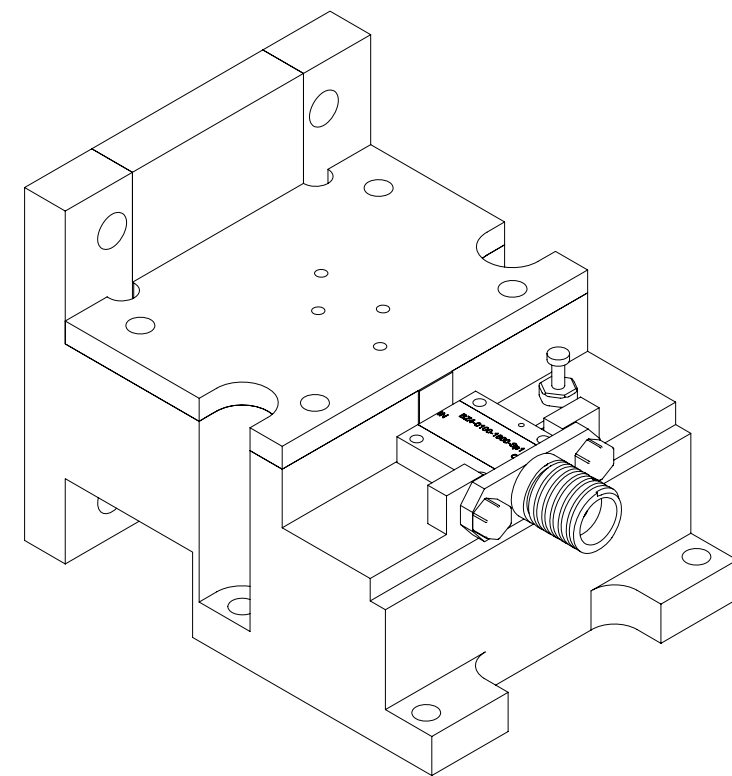
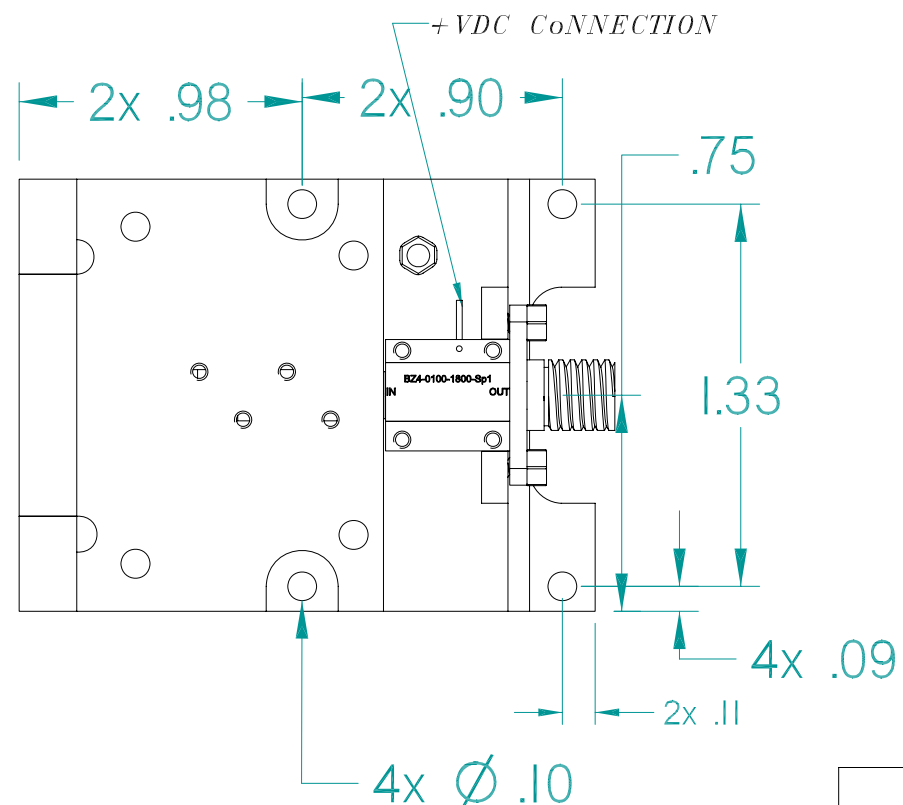
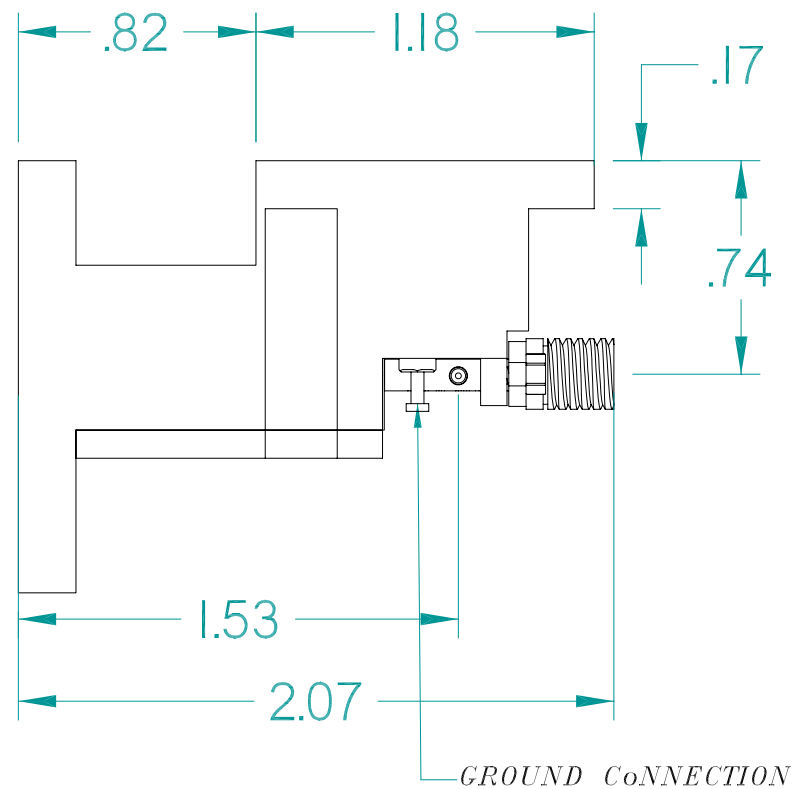
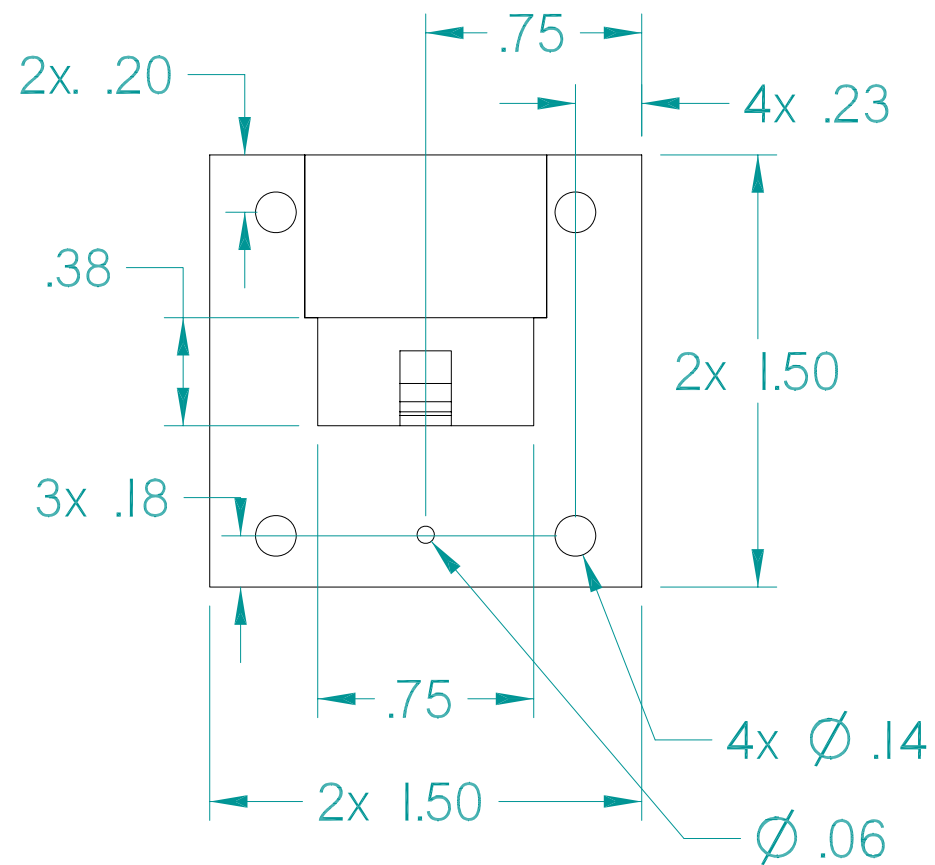


REVISION HISTORY			
REV	DESCRIPTION	DATE	APPROVED



DRAWN	NAME	DATE	B&Z TECHNOLOGIES PORT JEFFERSON, NEW YORK 11777 TITLE		
CHECKED	SolidEdge	01/25/07			
ENG APPR					
MGR APPR					
UNLESS OTHERWISE SPECIFIED DIMENSIONS ARE IN MILLIMETERS ANGLES ±X.X° 2 PL ±X.XX 3 PL ±X.XXX			SIZE	DWG NO	REV
			A3		10
			FILE NAME: 9-13 WaveGuide.dft		
			SCALE:	WEIGHT:	SHEET 2 OF 1